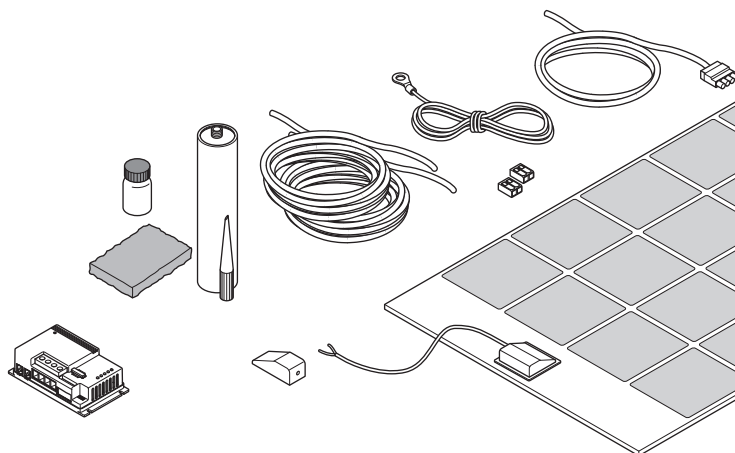


BÜTTNER | ↗ DOMETIC

POWER & CONTROL

FLAT LIGHT KITS

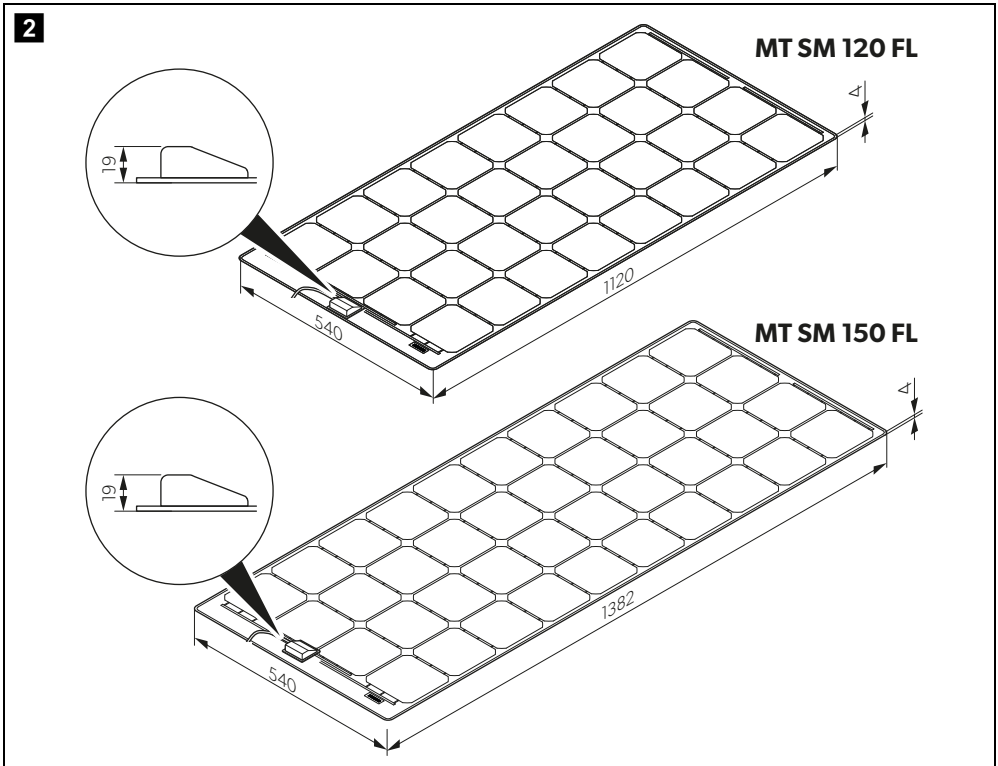
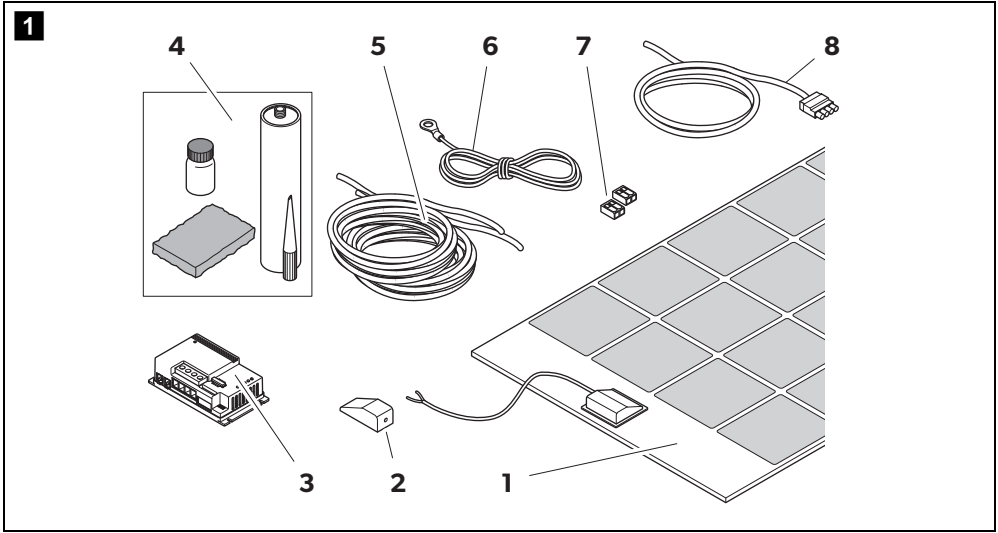
FLAT LIGHT Q KITS

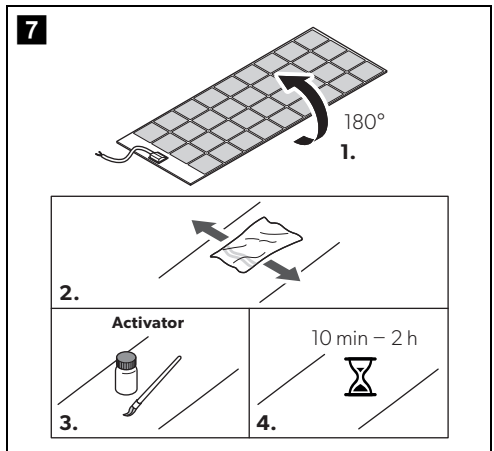
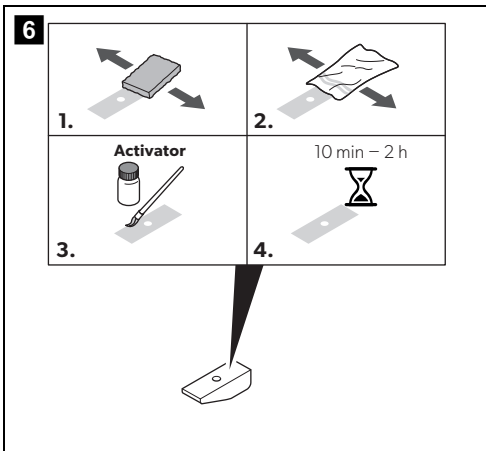
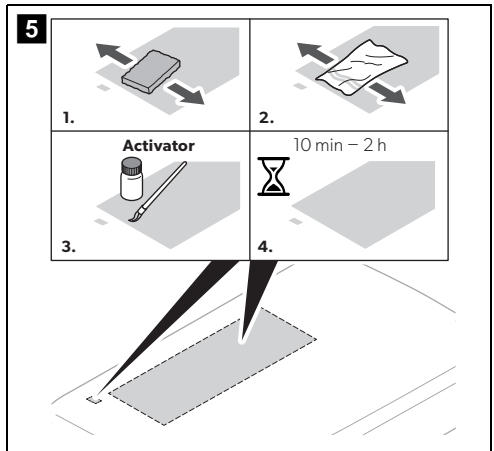
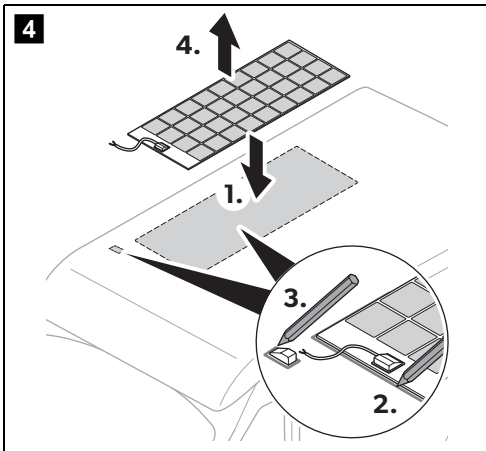
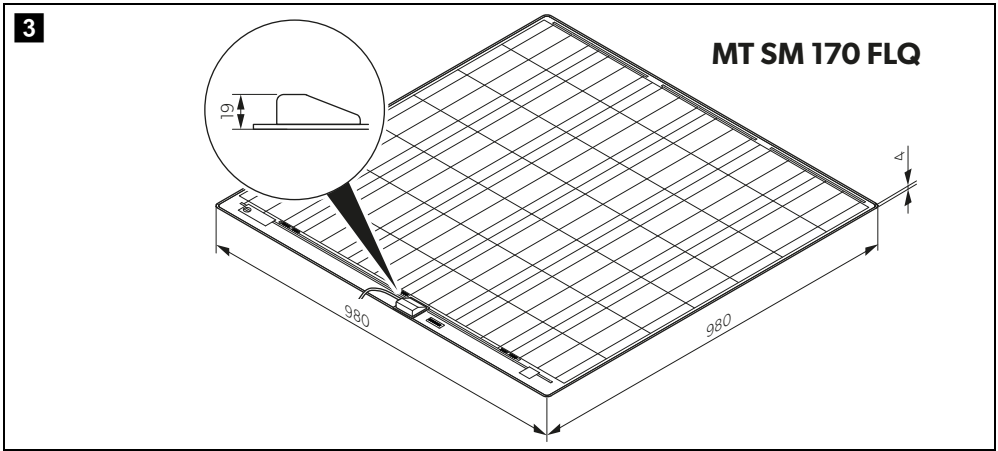


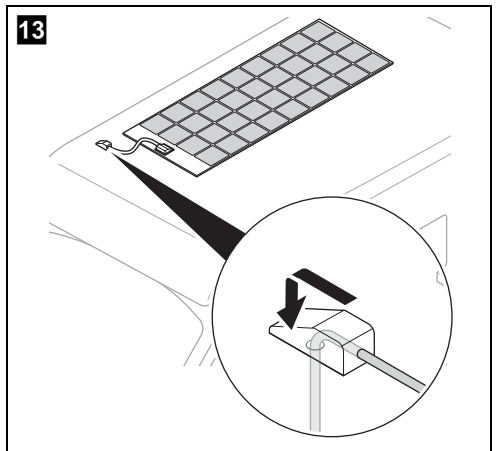
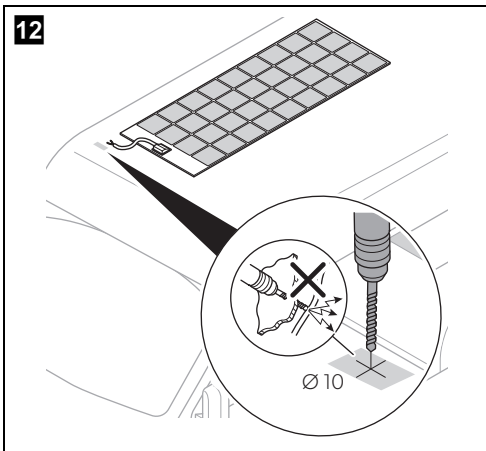
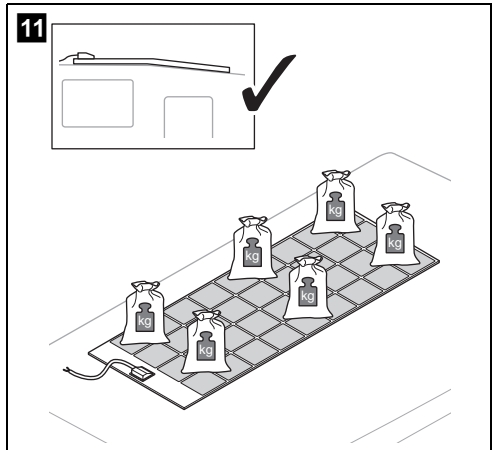
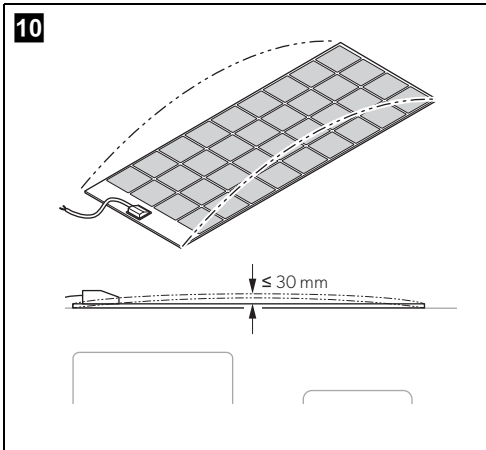
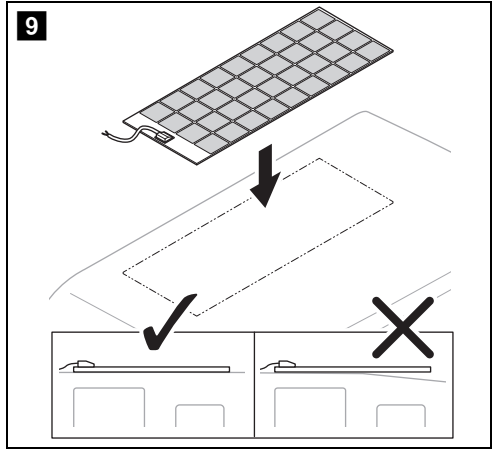
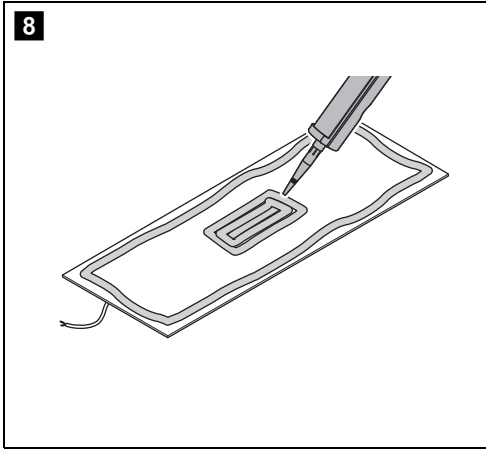
MT120FL, MT240-2FL, MT150FL, MT300-2FL, MT170FLQ, MT340-2FLQ

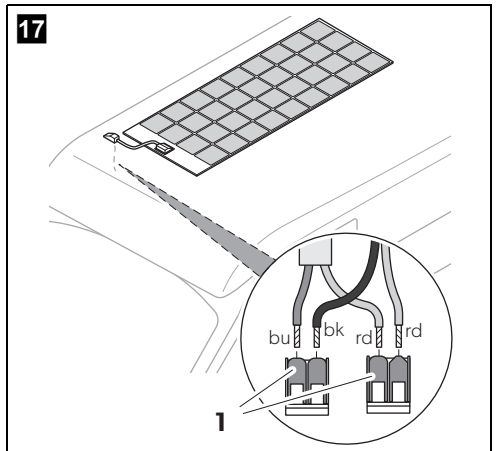
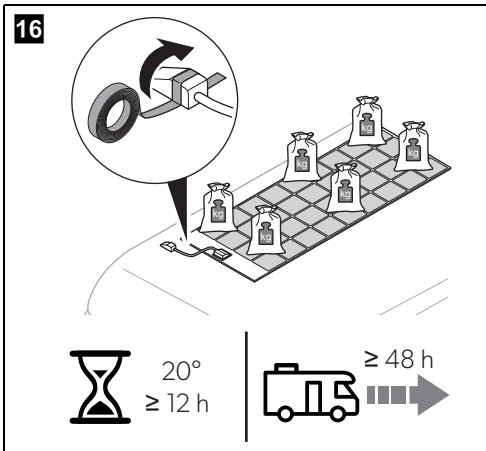
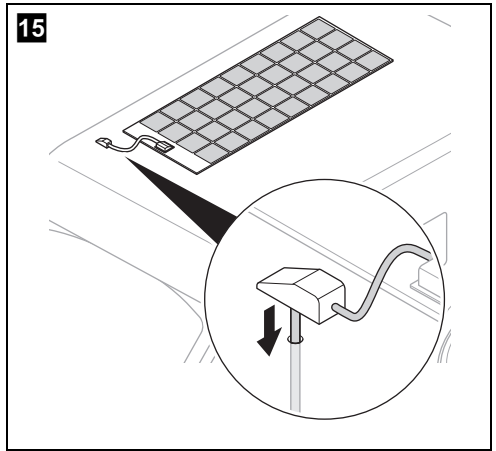
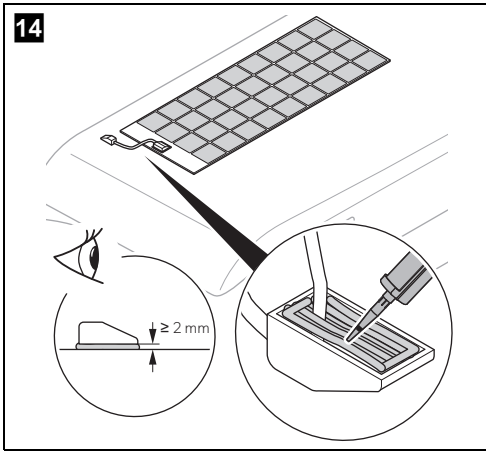
EN	Solar system Installation and Operating Manual 7	SV	Solenergisystemet Monterings- och bruksanvisning 65
DE	Solar-Kompletanlage Montage- und Bedienungsanleitung 16	NO	Solcelleanlegget Monterings- og bruksanvisning 75
FR	Système solaire Instructions de montage et de service 26		
IT	Impianto solare Istruzioni di montaggio e d'uso 36		
NL	Zonnesysteem Montagehandleiding en gebruiksaanwijzing 46		
DA	Solcellesystemet Monterings- og betjeningsvejledning 56		

© 2022 Dometic Group. The visual appearance of the contents of this manual is protected by copyright and design law. The underlying technical design and the products contained herein may be protected by design, patent or be patent pending. The trademarks mentioned in this manual belong to Dometic Sweden AB. All rights are reserved.









	EN	DE	FR	IT	NL	DA	SV	NO
rd	Red	Rot	Rouge	Rosso	Rood	Red	Röd	Rød
bk	Black	Schwarz	Noir	Nero	Zwart	Sort	Svart	Svart
bu	Blue	Blau	Bleu	Blu	Blauw	Blå	Blå	Blå

Please read these instructions carefully and follow all instructions, guidelines, and warnings included in this product manual in order to ensure that you install, use, and maintain the product properly at all times. These instructions **MUST** stay with this product.

By using the product, you hereby confirm that you have read all instructions, guidelines, and warnings carefully and that you understand and agree to abide by the terms and conditions as set forth herein. You agree to use this product only for the intended purpose and application and in accordance with the instructions, guidelines, and warnings as set forth in this product manual as well as in accordance with all applicable laws and regulations. A failure to read and follow the instructions and warnings set forth herein may result in an injury to yourself and others, damage to your product or damage to other property in the vicinity. This product manual, including the instructions, guidelines, and warnings, and related documentation, may be subject to changes and updates. For up-to-date product information, please visit documents.domestic.com.

Contents

Explanation of symbols	7
Safety instructions	7
Scope of delivery	9
Accessories	9
Intended use	10
Technical description	10
Installing the solar system	10
Operation	11
Cleaning and maintenance	11
Troubleshooting	12
Warranty	13
Disposal	13
Technical data	14

Explanation of symbols



DANGER!

Safety instruction: Indicates a hazardous situation that, if not avoided, will result in death or serious injury.



WARNING!

Safety instruction: Indicates a hazardous situation that, if not avoided, could result in death or serious injury.



CAUTION!

Safety instruction: Indicates a hazardous situation that, if not avoided, could result in minor or moderate injury.



NOTICE!

Indicates a situation that, if not avoided, can result in property damage.



NOTE

Supplementary information for operating the product.

Safety instructions

Also observe the safety instructions and stipulations issued by the vehicle manufacturer and authorized workshops.

General safety



WARNING! Failure to obey these warnings will result in death or serious injury.

Electrocution hazard

- Solar panels generate direct current and are sources of electricity when exposed to sunlight or other light sources. Do not come into contact with the live parts of the solar panel, such as the terminals, as this can result in burns, sparks and fatal shock whether the module is connected or disconnected.
- Do not install the solar system when the solar panels are exposed to sunlight or other light sources. Cover all solar panels with an opaque cloth or material to prevent the production of electricity when installing or working with solar panels or wiring.
- Installation and removal of the solar system may only be carried out by qualified personnel.
- Do not operate the solar system if any component is visibly damaged.
- If this device's power cable is damaged, the power cable must be replaced by the manufacturer, a service agent or a similarly qualified person in order to prevent safety hazards.
- The solar system may only be repaired by qualified personnel. Improper repairs can lead to considerable hazards.

- If you disassemble the device:
 - Detach all connections.
 - Ensure that no voltage is present on any of the inputs and outputs.
- Only use accessories that are recommended by the manufacturer.
- Do not modify or adapt any of the components in any way.

Risk of injury

- When exposed to direct sunlight, the solar panels can heat up to a temperature of up to 70 °C. Do not come into contact with the surface of the solar panels to avoid burns.

Health hazard

- This device can be used by children aged from 8 years and above and persons with reduced physical, sensory or mental capabilities or lack of experience and knowledge if they have been given supervision or instruction concerning use of the device in a safe way and understand the hazards involved.
- **Electrical devices are not toys.**
Always keep and use the device out of the reach of very young children.
- Children must be supervised to ensure that they do not play with the device.
- Cleaning and user maintenance shall not be made by children without supervision.



NOTICE! Damage hazard

- Ensure that other objects **cannot** cause a short circuit at the contacts of the device.
- Ensure that the negative and positive poles **never** come into contact.
- Do not step or lean on the solar panels.
- Do not put excessive load on the glass or back sheet of the solar panels as this may break the cells or cause micro cracks.
- Store the solar system in a safe place before mounting or after dismounting. Protect the solar panels from falling over or down.

Installing the device safely



DANGER! Failure to obey these warnings will result in death or serious injury.

Explosion hazard

- Never mount the device in areas where there is a risk of gas or dust explosion.



WARNING! Failure to obey these warnings could result in death or serious injury.

Risk of injury

- If you install the solar system on a roof:
 - Do not carry out installation and mounting in strong winds.
 - Protect yourself and other persons from falling down.
 - Prevent the possible falling of objects.
 - Secure the work area so that no other person can be injured.



NOTICE! Damage hazard

- Improperly mounted solar panels can get loose and fall down. Do not use silicone or any other adhesive than the one supplied to ensure optimum adhesion.

Safety when connecting the device electrically



WARNING! Failure to obey these warnings could result in death or serious injury.

Electrocution hazard

- The electrical installation may only be connected by qualified personnel and only in accordance with the national regulations. Incorrect connection may cause severe hazards.
- If you are working on electrical systems, ensure that there is somebody close at hand who can help you in emergencies.
- Observe the recommended cable cross-sections.
- Lay the cables so that they cannot be damaged by the doors or the hood.
Crushed cables can lead to serious injury.



NOTICE! Damage hazard

- Do not exceed the current and voltage ratings of the solar charger. Only install solar panels up to the maximum power rating of the used solar charger. If your solar system exceeds these ratings, contact your dealer for a suitable solar charger.
- Use ductwork or cable ducts if it is necessary to lay cables through metal panels or other panels with sharp edges.

- Do **not** lay the 230 V mains cable and the 12 V DC cable in the same duct.
- Do **not** lay the cable so that it is loose or heavily kinked.
- Fasten the cables securely.
- Do not pull on the cables.

Operating the device safely



DANGER! Failure to obey these warnings will result in death or serious injury.

Electrocution hazard

- Do not touch exposed cables with your bare hands.



WARNING! Failure to obey these warnings could result in death or serious injury.

Risk of injury

- At the beginning of each trip and at regular intervals during each trip, check that the solar panels are firmly attached to the roof. An incorrectly mounted solar panel can fall off during the journey and injure other road users.



CAUTION! Failure to obey these cautions could result in minor or moderate injury.

Explosion hazard

- Do **not** operate the device under the following conditions:
 - In the vicinity of corrosive fumes
 - In the vicinity of combustible materials
 - In areas where there is a risk of explosions



NOTICE! Damage hazard

- Avoid heavy shocks and vibration while driving.

Scope of delivery

Item in fig. 11, page 3	Designation	Qty.
1	Solar panel (MT 120 FL, MT 150 FL, MT 170 FLQ)	1
1	Solar panel (MT 240-2 FL, MT 300-2 FL, MT 340-2 FLQ)	2
2	Roof duct	1
3	Solar charger	1
4	Adhesive kit	1
5	Indoor cable (2 x 4 mm ²)	1
6	Temperature sensor	1
7	Cable connector	2
8	EBL cable kit	1
–	Installation and Operating Manual for the solar charger	1

Accessories

Available as accessories (not included in the scope of delivery):

Description	SKU
MT iQ Solar Monitor LED I	9620000230 (MT 71242)
MT iQ Solar Monitor LCD III	9620000328 (MT 01250)
MT iQ SolarPRO	9620000309 (MT 01240)

Intended use

The solar system is intended to convert sunlight into direct current (DC) to charge rechargeable 12 V batteries in vehicles or boats while driving or supply them with a float voltage for power generation. The battery power can additionally be used as a stable power supply to operate DC-powered devices connected to the battery.

The solar system is suitable for:

- Installation on caravans and motor homes
- Stationary or mobile use
- Extreme operating conditions (expedition use)
- Wind speeds up to 225 km/h

The solar system is **not** suitable for:

- Mains operation
- Portable applications

The energy output of connected solar panels may not exceed the maximum output stated in the technical data.

This product is only suitable for the intended purpose and application in accordance with these instructions.

This manual provides information that is necessary for proper installation and/or operation of the product. Poor installation and/or improper operating or maintenance will result in unsatisfactory performance and a possible failure.

The manufacturer accepts no liability for any injury or damage to the product resulting from:

- Incorrect assembly or connection, including excess voltage
- Incorrect maintenance or use of spare parts other than original spare parts provided by the manufacturer
- Alterations to the product without express permission from the manufacturer
- Use for purposes other than those described in this manual

Dometic reserves the right to change product appearance and product specifications.

Technical description

The solar panels are particularly flat and bonded directly to the vehicle roof. The solar panels can be applied to slightly curved roof surfaces and can be walked on.

The solar system can be extended by further solar panels of the same power.

The solar charger is connected between the solar panels and the battery to ensure the correct charging current of the batteries and to protect the batteries against over voltage and deep discharge.

Installing the solar system



WARNING! Electrocutation hazard

Completely cover all solar panels with an opaque material during installation to prevent electricity from being generated.

Installation location

When selecting the installation location, consider the following:

- The mounting surface must be even and stable enough to support the solar panel.
- Ensure that the designated mounting surface is sufficiently dimensioned.
- Ensure there is enough room to access the solar panels and other fixed components for future maintenance.
- Ensure not to block any existing ventilation openings on the vehicle.
- Shading can reduce the performance of the solar system. Ensure that fixed components, such as air conditioners or opened satellite antennas, do not shade the solar panels.
- Choose a location with direct sunlight for optimal performance.
- Place several solar panels as close to each other as possible.
- Do not glue the solar panels or roof ducts to rubberized surfaces (e.g. exterior planking), as the adhesion of the glue is not guaranteed.

Preparing the installation

- ▶ Mark and prepare the bonding surfaces, see fig. **4**, page 4 to fig. **7**, page 4.

Mounting the solar system



WARNING! Risk of injury

Do not use silicone or any other adhesive than the one supplied.

- ▶ To mount the solar system, proceed as shown in fig. **8**, page 5 to fig. **16**, page 6.

Connecting outdoor cable and indoor cable (fig. **17**, page 6)



NOTE

The cable length should be as short as possible.

1. Strip the cable ends as follows:
 - Outdoor cable 11 mm (2.5 mm²)
 - Indoor cable 11 mm (4 mm²)
2. Connect the outdoor cable to the indoor cable at a suitable point using the cable connector (**1**).

Connecting the solar charger (MT 150 PP, MT 350 PP)



You find the information on installing the solar charger in the enclosed installation and operating manual or online at https://documents.dometic.com/?object_id=83055



Also observe the instructions and safety precautions for all other components used in the solar system.

Connecting the MPP solar charger (MT MPP 170, MT MPP 440)



You find the information on installing the solar charger in the enclosed installation and operating manual or online at https://documents.dometic.com/?object_id=83056



Also observe the instructions and safety precautions for all other components used in the solar system.

Operation

For optimal use of the solar system, note the following:

- The solar system generates different amounts of electricity depending on the amount of sunlight during the day. The more sunlight falls on the solar system, the more electricity is generated. The amount of electricity generated is affected by the following conditions:
 - Cloudy weather
 - Seasonal solar radiation
 - Variations in the angle of the sun
 - Shading or soiling of the solar system
- The performance of the solar system decreases the more the solar panels heat up. Ensure adequate ventilation and avoid excessive solar radiation.

Cleaning and maintenance



WARNING! Electrocutation hazard

Broken solar panel glass may cause electric shock or fire. These panels cannot be repaired and should be replaced immediately. Contact an authorized service agent.



CAUTION! Risk of injury

Allow the solar panel to cool down before cleaning to avoid burns or damage to the solar panel as a result of excessive temperature differences. Clean the solar panels in the early morning or late afternoon hours when the sunlight is low and the solar panels are cooler.



NOTICE! Damage hazard

- Do not clean the solar system with a high-pressure cleaner.
- Do not use sharp or hard objects, abrasive cleaning agents or bleach during cleaning as these can damage the device.

- ▶ Regularly check live cables for insulation faults, breaks, rodent damage, weathering and that all connections are tight and corrosion free.
- ▶ Regularly check the surface of the solar panels for cracks and missing or defective components.
- ▶ For maximum performance keep the solar panel free of dirt and shading, e.g. dust and leaves. Clean the solar panels with a soft, damp cloth or sponge.
- ▶ Occasionally check the sealing of the roof duct for any damage.

Troubleshooting

Fault	Possible cause	Suggested remedy
The solar system does not work (no power output).	Insulation faults, breaks or loose connections at the live cables.	<ul style="list-style-type: none"> ▶ Check live cables for insulation faults, breaks or loose connections. ▶ Pull out the fuse on the solar charger and check the solar panel voltage (VoC) on the solar charger. ▶ If you cannot find an error, contact an authorized service agent.
	Faulty solar charger.	<ul style="list-style-type: none"> ▶ Replace the solar charger.
The solar system does not work properly (low power output).	Objects or dirt are blocking out light.	<ul style="list-style-type: none"> ▶ Check for obstructions and ensure that the solar panels are not blocked by shadows. ▶ Move the vehicle to a more suitable location. ▶ Remove any dirt.
	Overheating of the solar panels.	<ul style="list-style-type: none"> ▶ Allow the solar panels to cool down. ▶ Move the vehicle to a more suitable location. ▶ Ensure sufficient air circulation around the solar panels.
	One solar panel in the array failed.	<ul style="list-style-type: none"> ▶ Pull out the fuse on the solar charger and check the solar panel voltage (VoC) on the solar charger. ▶ Check the solar panels for micro cracks. ▶ Check the solar panel for delamination. ▶ Replace the solar panel if necessary.

Warranty

The statutory warranty period applies. If the product is defective, please contact your retailer or the manufacturer's branch in your country (see dometic.com/dealer).

For repair and warranty processing, please include the following documents when you send in the product:

- A copy of the receipt with purchasing date
- A reason for the claim or description of the fault

Note that self-repair or nonprofessional repair can have safety consequences and might void the warranty.

Disposal

Recycling packaging material



- Place the packaging material in the appropriate recycling waste bins wherever possible.

Recycling products with non-replaceable batteries, rechargeable batteries or light sources




- If the product contains any non-replaceable batteries, rechargeable batteries or light sources, you don't have to remove them before disposal.




- If you wish to finally dispose of the product, ask your local recycling center or specialist dealer for details about how to do this in accordance with the applicable disposal regulations.
- The product can be disposed free of charge.


Technical data

Solar system

	MT 120 FL	MT 240-2 FL	MT 150 FL	MT 300-2 FL
Nominal output (Wp)	120	240	150	300
Daily output (Wh/day)	480	960	660	1320
Dimensions (W x D x H)	1120 x 540 x 19 mm	2 x MT 120 FL	1380 x 540 x 19 mm	2 x MT 150 FL
Solar panel	MT SM 120 FL	2 x MT SM 120 FL	MT SM 150 FL	2 x MT SM 150 FL
Solar charger	MT 150 PP	MT 350 PP	MT MPP 170	MT MPP 440
Weight (without cables)	3.3 kg	6.3 kg	4.9 kg	9.5 kg
Inspection/certification				

	MT 170 FLQ	MT 340-2 FLQ
Nominal output (Wp)	170	340
Daily output (Wh/day)	750	1500
Dimensions (W x D x H)	980 x 980 x 19 mm	2 x MT 170 FLQ
Solar panel	MT SM 170 FLQ	2 x MT SM 170 FLQ
Solar charger	MT MPP 170	MT MPP 440
Weight (without cables)	5.2 kg	10.1 kg
Inspection/certification		

Solar panel

	MT SM 120 FL	MT SM 150 FL	MT SM 170 FLQ
Ref. No.	9620000138 (SM40120)	9620000259 (SM 40152)	9620000206 (SM 40170)
Nominal output (Wp)	120	150	170
Daily output (Wh/day)	480	660	750
Power tolerance	+/- 10 %	+/- 10 %	+/- 10 %
Short circuit current (Isc)	6.4 A	6.4 A	7.2 A
Open-circuit voltage (VoC)	23.4 V	29.2 V	27.9 V
Number of cells	32	40	42
Cell type	Monocrystalline		
Ambient temperature	-40 °C to +85 °C		
Ambient humidity	≤ 85 %		
Dimensions (W x D x H)	1120 x 540 x 19 mm	1382 x 540 x 19 mm	980 x 980 x 19 mm
Weight	3.0 kg	4.6 kg	4.9 kg
Inspection/certification			

The specifications are obtained under the standard test conditions of STC (STC: Irradiance 1000 W/m², Panel temperature 25 °C, AM 1.5).

Solar charger (MT 150 PP, MT 350 PP)



You find detailed information on the technical data of the solar charger in the enclosed installation and operating manual or online at https://documents.dometic.com/?object_id=83055

MPP solar charger (MT MPP 170, MT MPP 440)



You find detailed information on the technical data of the solar charger in the enclosed installation and operating manual or online at https://documents.dometic.com/?object_id=83056

Lesen und befolgen Sie bitte alle Anweisungen, Richtlinien und Warnhinweise in diesem Produkthandbuch sorgfältig, um sicherzustellen, dass Sie das Produkt ordnungsgemäß installieren und stets ordnungsgemäß betreiben und warten. Diese Anleitung MUSS bei dem Produkt verbleiben.

Durch die Verwendung des Produktes bestätigen Sie hiermit, dass Sie alle Anweisungen, Richtlinien und Warnhinweise sorgfältig gelesen haben und dass Sie die hierin dargelegten Bestimmungen verstanden haben und ihnen zustimmen. Sie erklären sich damit einverstanden, dieses Produkt nur für den angegebenen Verwendungszweck und gemäß den Anweisungen, Richtlinien und Warnhinweisen dieses Produkthandbuchs sowie gemäß allen geltenden Gesetzen und Vorschriften zu verwenden. Eine Nichtbeachtung der hierin enthaltenen Anweisungen und Warnhinweise kann zu einer Verletzung Ihrer selbst und anderer Personen, zu Schäden an Ihrem Produkt oder zu Schäden an anderem Eigentum in der Umgebung führen. Dieses Produkthandbuch, einschließlich der Anweisungen, Richtlinien und Warnhinweise, sowie die zugehörige Dokumentation können Änderungen und Aktualisierungen unterliegen. Aktuelle Produktinformationen finden Sie unter documents.dometic.com.

Inhalt

Erläuterung der Symbole	16
Sicherheitshinweise	16
Lieferumfang	19
Zubehör	19
Bestimmungsgemäßer Gebrauch	19
Technische Beschreibung	20
Solaranlage installieren	20
Betrieb	21
Reinigung und Pflege	21
Fehlersuche und Fehlerbehebung	22
Garantie	23
Entsorgung	23
Technische Daten	24

Erläuterung der Symbole



GEFAHR!

Sicherheitshinweis: Kennzeichnet eine Gefahrensituation, die zum Tod oder schwerer Verletzung führt, wenn die jeweiligen Anweisungen nicht befolgt werden.



WARNUNG!

Sicherheitshinweis: Kennzeichnet eine Gefahrensituation, die zum Tod oder schwerer Verletzung führen könnte, wenn die jeweiligen Anweisungen nicht befolgt werden.



VORSICHT!

Sicherheitshinweis: Kennzeichnet eine Gefahrensituation, die zu geringer oder mittelschwerer Verletzung führen könnte, wenn die jeweiligen Anweisungen nicht befolgt werden.



ACHTUNG!

Kennzeichnet eine Situation, die zu Sachschäden führen kann, wenn die jeweiligen Anweisungen nicht befolgt werden.



HINWEIS

Ergänzende Informationen zur Bedienung des Produktes.

Sicherheitshinweise

Beachten Sie die vom Fahrzeughersteller und vom Kfz-Handwerk herausgegebenen Sicherheitshinweise und Auflagen.

Grundlegende Sicherheit



WARNUNG! Nichtbeachtung dieser Warnungen führt zum Tod oder schwerer Verletzung.

Gefahr durch Stromschlag

- Solarmodule erzeugen Gleichstrom und liefern Strom, wenn sie Sonnenlicht oder anderen Lichtquellen ausgesetzt werden. Berühren Sie nicht die stromführenden Teile des Solarmoduls, wie z. B. die Klemmen, da dies zu Verbrennungen, Funkenbildung und lebensgefährlichem Stromschlag führen kann, unabhängig davon, ob das Modul angeschlossen ist oder nicht.
- Installieren Sie die Solaranlage nicht, während die Solarmodule Sonnenlicht oder anderen Lichtquellen ausgesetzt sind. Decken Sie alle Solarmodule mit einem lichtundurchlässigen Tuch oder Material ab, um die Erzeugung von Strom während der Installation oder den Arbeiten an den Solarmodulen oder der Verkabelung zu verhindern.

- Installation und Deinstallation der Solaranlage dürfen nur durch qualifiziertes Personal erfolgen.
- Wenn Komponenten der Solaranlage sichtbare Beschädigungen aufweisen, dürfen Sie die Anlage nicht in Betrieb nehmen.
- Wenn das Netzkabel dieses Geräts beschädigt ist, muss das Netzkabel durch den Hersteller, einen Kundendienstmitarbeiter oder eine entsprechend ausgebildete Fachkraft ersetzt werden, um Gefahren zu verhindern.
- Reparaturen an der Solaranlage dürfen nur durch qualifiziertes Personal durchgeführt werden. Durch unsachgemäße Reparaturen können erhebliche Gefahren entstehen.
- Falls Sie das Gerät demontieren:
 - Lösen Sie alle Verbindungen.
 - Stellen Sie sicher, dass alle Ein- und Ausgänge spannungsfrei sind.
- Verwenden Sie nur vom Hersteller empfohlenes Zubehör.
- Führen Sie keine Änderungen bzw. Anpassungen an Komponenten durch.

- Achten Sie darauf, dass die Plus- und Minuspole **niemals** miteinander in Kontakt kommen.
- Treten Sie nicht auf die Solarmodule und lehnen Sie sich nicht daran.
- Das Glas oder die Rückseite der Solarmodule darf nicht übermäßig belastet werden, da dadurch die Zellen brechen oder Mikrorisse entstehen können.
- Lagern Sie die Solaranlage vor der Montage oder nach der Demontage an einem sicheren Ort. Schützen Sie die Solarmodule vor dem Umfallen oder Herunterfallen.

Sichere Installation des Geräts



GEFAHR! Nichtbeachtung dieser Warnungen führt zum Tod oder schwerer Verletzung.

Explosionsgefahr

- Montieren Sie das Gerät niemals in Bereichen, in denen die Gefahr einer Gas- oder Staubexplosion besteht.



WARNUNG! Nichtbeachtung dieser Warnungen kann zum Tod oder schwerer Verletzung führen.

Verletzungsgefahr

- Bei Installation der Solaranlage auf einem Dach:
 - Führen Sie die Installation und Montage nicht bei starkem Wind durch.
 - Schützen Sie sich und andere Personen vor dem Herunterfallen.
 - Verhindern Sie, dass Gegenstände herunterfallen.
 - Sichern Sie den Arbeitsbereich so ab, dass keine andere Person verletzt werden kann.



ACHTUNG! Beschädigungsgefahr

- Falsch montierte Solarmodule können sich lösen und herunterfallen. Verwenden Sie kein Silikon und keinen anderen Klebstoff als den mitgelieferten, um eine optimale Haftung zu gewährleisten.

Verletzungsgefahr

- Die Solarmodule können sich bei direkter Sonneneinstrahlung auf bis zu 70 °C erwärmen. Berühren Sie nicht die Oberfläche der Solarmodule, um Verbrennungen zu vermeiden.

Gesundheitsgefahr

- Dieses Gerät kann von Kindern ab 8 Jahren und von Personen mit verringerten physischen, sensorischen oder mentalen Fähigkeiten oder Mangel an Erfahrung und/oder Wissen verwendet werden, wenn diese Personen beaufsichtigt werden oder im sicheren Gebrauch des Geräts unterwiesen wurden und die daraus resultierenden Gefahren verstanden haben.
- **Elektrogeräte sind kein Kinderspielzeug!** Verwenden und benutzen Sie das Gerät außerhalb der Reichweite kleiner Kinder.
- Kinder sollten beaufsichtigt werden, um sicherzustellen, dass sie nicht mit dem Gerät spielen.
- Reinigung und Benutzerwartung dürfen nicht durch unbeaufsichtigte Kinder durchgeführt werden.



ACHTUNG! Beschädigungsgefahr

- Achten Sie darauf, dass andere Gegenstände **keinen Kurzschluss** an den Kontakten des Gerätes verursachen können.

Sicherheit beim elektrischen Anschluss des Geräts



WARNUNG! Nichtbeachtung dieser Warnungen kann zum Tod oder schwerer Verletzung führen.

Gefahr durch Stromschlag

- Die elektrische Installation darf nur von einer Fachkraft nach den nationalen Vorschriften angeschlossen werden. Durch unsachgemäßes Anschließen können erhebliche Gefahren entstehen.
- Wenn Sie an elektrischen Anlagen arbeiten, stellen Sie sicher, dass jemand in der Nähe ist, um Ihnen im Notfall helfen zu können.
- Beachten Sie die empfohlenen Kabelquerschnitte.
- Verlegen Sie die Kabel so, dass sie nicht durch die Türen oder die Motorhaube beschädigt werden können. Eingequetschte Kabel können zu lebensgefährlichen Verletzungen führen.



ACHTUNG! Beschädigungsgefahr

- Überschreiten Sie nicht die Nennstrom- und Spannungswerte des Solarladereglers. Installieren Sie Solarmodule nur bis zur maximalen Nennleistung des verwendeten Solarladereglers. Wenn die Solaranlage diese Nennwerte überschreitet, wenden Sie sich an Ihren Händler, um einen geeigneten Solarladeregler zu erhalten.
- Benutzen Sie Leerrohre oder Leitungsdurchführungen, wenn Leitungen durch Blechwände oder andere scharfkantige Wände geführt werden müssen.
- Verlegen Sie 230-V-Netzleitung und 12-V-Gleichstromleitung **nicht** im gleichen Kabelkanal (Leerrohr)!
- Verlegen Sie Kabel **nicht** lose oder scharf abgelenkt.
- Befestigen Sie die Leitungen sicher.
- Ziehen Sie nicht an den Leitungen.

Sicherheit beim Betrieb des Gerätes



GEFAHR! Nichtbeachtung dieser Warnungen führt zum Tod oder schwerer Verletzung.

Gefahr durch Stromschlag

- Fassen Sie nie mit bloßen Händen an blanke Leitungen.



WARNUNG! Nichtbeachtung dieser Warnungen kann zum Tod oder schwerer Verletzung führen.

Verletzungsgefahr

- Überprüfen Sie zu Beginn jeder Fahrt und in regelmäßigen Abständen während jeder Fahrt, ob die Solarmodule fest am Dach befestigt sind. Ein falsch montiertes Solarmodul kann während der Fahrt abfallen und andere Verkehrsteilnehmer verletzen.



VORSICHT! Nichtbeachtung dieser Hinweise kann zu leichten bis mittelschweren Verletzungen führen.

Explosionsgefahr

- Betreiben Sie das Gerät **nicht** unter den folgenden Bedingungen:
 - In der Nähe von aggressiven Dämpfen
 - In der Nähe brennbarer Materialien
 - In explosionsgefährdeten Bereichen



ACHTUNG! Beschädigungsgefahr

- Vermeiden Sie starke Stöße und Vibrationen während der Fahrt.

Lieferumfang

Pos. in Abb. 1, Seite 3	Bezeichnung	Anz.
1	Solarmodul (MT 120 FL, MT 150 FL, MT 170 FLQ)	1
1	Solarmodul (MT 240-2 FL, MT 300-2 FL, MT 340-2 FLQ)	2
2	Dachdurchführung	1
3	Solarladeregler	1
4	Klebeset	1
5	Kabel für den Innenbereich (2 x 4 mm ²)	1
6	Temperatursensor	1
7	Kabel-Verbinder	2
8	EBL-Kabelsatz	1
-	Montage- und Bedienungsanlei- tung für den Solarladeregler	1

Zubehör

Als Zubehör erhältlich (nicht im Lieferumfang enthalten):

Beschreibung	SKU
MT iQ Solar Monitor LED I	9620000230 (MT 71242)
MT iQ Solar Monitor LCD III	9620000328 (MT 01250)
MT iQ SolarPRO	9620000309 (MT 01240)

Bestimmungsgemäßer Gebrauch

Die Solaranlage ist dafür vorgesehen, Sonnenlicht in Gleichstrom (DC) umzuwandeln, um wiederaufladbare 12-V-Batterien in Fahrzeugen oder Booten während der Fahrt aufzuladen oder zur Stromerzeugung mit einer Erhaltungsspannung zu versorgen. Der Batteriestrom kann zusätzlich als stabile Stromversorgung für den Betrieb von an die Batterie angeschlossenen Gleichstromgeräten verwendet werden.

Die Solaranlage ist geeignet für:

- Die Installation an Wohnwagen und Wohnmobilen
- Den stationären oder mobilen Einsatz
- Extreme Betriebsbedingungen (Einsatz bei Expeditionen)
- Windgeschwindigkeiten bis zu 225 km/h

Die Solaranlage ist **nicht** geeignet für:

- Den Betrieb am Stromnetz
- Tragbare Anwendungen

Die Stromleistung der angeschlossenen Solarmodule darf die in den technischen Daten angegebene maximale Leistung nicht überschreiten.

Dieses Produkt ist nur für den angegebenen Verwendungszweck und die Anwendung gemäß dieser Anleitung geeignet.

Dieses Handbuch enthält Informationen, die für die ordnungsgemäße Installation und/oder den ordnungsgemäßen Betrieb des Produkts erforderlich sind. Installationsfehler und/oder ein nicht ordnungsgemäßer Betrieb oder eine nicht ordnungsgemäße Wartung haben eine unzureichende Leistung und u. U. einen Ausfall des Geräts zur Folge.

Der Hersteller übernimmt keine Haftung für Verletzungen oder Schäden am Produkt, die durch Folgendes entstehen:

- Unsachgemäße Montage oder falscher Anschluss, einschließlich Überspannung
- Unsachgemäße Wartung oder Verwendung von anderen als den vom Hersteller gelieferten Original-Ersatzteilen

- Veränderungen am Produkt ohne ausdrückliche Genehmigung des Herstellers
- Verwendung für andere als die in der Anleitung beschriebenen Zwecke

Dometic behält sich das Recht vor, das Erscheinungsbild des Produkts und dessen technische Daten zu ändern.

Technische Beschreibung

Die Solarmodule sind besonders flach und direkt mit dem Fahrzeugdach verklebt. Die Solarmodule können auf leicht gewölbten Dachflächen angebracht werden und sind begehbar.

Die Solaranlage kann durch weitere Solarmodule gleicher Leistung erweitert werden.

Der Solarladeregler wird zwischen den Solarmodulen und der Batterie angeschlossen, um den richtigen Ladestrom der Batterien sicherzustellen und die Batterien vor Überspannung und Tiefentladung zu schützen.

Solaranlage installieren



WARNUNG! Gefahr durch Stromschlag

Decken Sie alle Solarmodule während der Installation vollständig mit einem lichtundurchlässigen Material ab, um die Erzeugung von Strom zu verhindern.

Montageort

Beachten Sie bei der Wahl des Montageortes Folgendes:

- Die Montagefläche muss eben und stabil genug sein, um das Solarmodul zu tragen.
- Stellen Sie sicher, dass die vorgesehene Montagefläche ausreichend dimensioniert ist.
- Stellen Sie sicher, dass ausreichend Platz für den Zugang zu den Solarmodulen und anderen befestigten Komponenten für spätere Wartungsarbeiten vorhanden ist.
- Stellen Sie sicher, dass keine vorhandenen Lüftungsöffnungen am Fahrzeug blockiert werden.

- Eine Abschattung kann die Leistung der Solaranlage reduzieren. Stellen Sie sicher, dass befestigte Komponenten, wie Klimaanlage oder geöffnete Satellitenantennen, die Solarmodule nicht abschatten.
- Wählen Sie einen Ort mit direkter Sonneneinstrahlung, um eine optimale Leistung zu erzielen.
- Platzieren Sie mehrere Solarmodule so nah wie möglich zueinander.
- Kleben Sie die Solarmodule oder Dachdurchführungen nicht auf gummierte Oberflächen (z. B. Außenbeplankung), da daran eine Haftung des Klebers nicht gewährleistet ist.

Einbau vorbereiten

- Markieren und bereiten Sie die Klebeflächen vor, siehe Abb. **4**, Seite 4 bis Abb. **7**, Seite 4.

Solaranlage montieren



WARNUNG! Verletzungsgefahr

Verwenden Sie kein Silikon und keinen anderen Klebstoff als den mitgelieferten.

- Gehen Sie zur Montage der Solaranlage wie in Abb. **8**, Seite 5 bis Abb. **16**, Seite 6 gezeigt vor.

Kabel für den Außen- und Innenbereich anschließen (Abb. **17**, Seite 6)



HINWEIS

Die Kabellänge sollte so kurz wie möglich sein.

1. Isolieren Sie die Kabelenden wie folgt ab:
 - Kabel für den Außenbereich 11 mm (2,5 mm²)
 - Kabel für den Innenbereich 11 mm (4 mm²)
2. Schließen Sie das Kabel für den Außenbereich mit dem Kabel-Verbinder an einer geeigneten Stelle an das Kabel für den Innenbereich an (**1**).

Solarladeregler anschließen (MT 150 PP, MT 350 PP)



Informationen zur Installation des Solarladereglers finden Sie in der beiliegenden Montage- und Bedienungsanleitung oder online unter https://documents.dometic.com/?object_id=83055



Beachten Sie auch die Hinweise und Sicherheitsvorkehrungen für alle anderen Komponenten, die in der Solaranlage zum Einsatz kommen.

MPP Solarladeregler anschließen (MT MPP 170, MT MPP 440)



Informationen zur Installation des Solarladereglers finden Sie in der beiliegenden Montage- und Bedienungsanleitung oder online unter https://documents.dometic.com/?object_id=83056



Beachten Sie auch die Hinweise und Sicherheitsvorkehrungen für alle anderen Komponenten, die in der Solaranlage zum Einsatz kommen.

Betrieb

Beachten Sie für eine optimale Nutzung der Solaranlage Folgendes:

- Die Solaranlage erzeugt je nach Menge an Sonnenlicht während des Tages unterschiedliche Mengen an Strom. Je mehr Sonnenlicht auf die Solaranlage fällt, desto mehr Strom wird erzeugt. Die Menge des erzeugten Stroms wird durch die folgenden Bedingungen beeinflusst:
 - Bewölktes Wetter
 - Saisonale Sonnenstrahlung
 - Schwankungen des Sonnenwinkels
 - Abschattung oder Verschmutzung der Solaranlage
- Die Leistung der Solaranlage nimmt ab, je mehr sich die Solarmodule aufheizen. Sorgen Sie für eine ausreichende Belüftung und vermeiden Sie übermäßige Sonneneinstrahlung.

Reinigung und Pflege



WARNUNG! Gefahr durch Stromschlag

Gebrochenes Solarmodulglass kann einen Stromschlag oder Brand verursachen. Diese Module können nicht repariert werden und sollten umgehend ersetzt werden. Wenden Sie sich an einen zugelassenen Kundendienstbetrieb.



VORSICHT! Verletzungsgefahr

Lassen Sie das Solarmodul vor der Reinigung abkühlen, um Verbrennungen oder Beschädigungen des Solarmoduls durch übermäßige Temperaturunterschiede zu vermeiden. Reinigen Sie die Solarmodule am frühen Morgen oder am späten Nachmittag, wenn das Sonnenlicht gering ist und die Solarmodule kühl sind.



ACHTUNG! Beschädigungsgefahr

- Reinigen Sie die Solaranlage nicht mit einem Hochdruckreiniger.
- Verwenden Sie zur Reinigung keine scharfen oder harten Gegenstände, scheuernden Reinigungsmittel oder Bleichmittel, da diese das Gerät beschädigen können.

- ▶ Prüfen Sie stromführenden Kabel regelmäßig auf Isolationsmängel, Brüche, Nagetierschäden, Witterungseinflüsse sowie einen festen Sitz und Korrosionsfreiheit aller Anschlüsse.
- ▶ Überprüfen Sie die Oberfläche der Solarmodule regelmäßig auf Risse und fehlende oder defekte Komponenten.
- ▶ Um eine maximale Leistung zu erzielen, halten Sie das Solarmodul frei von Schmutz und Abschattung, z. B. Staub und Blättern. Reinigen Sie die Solarmodule mit einem weichen, feuchten Tuch oder Schwamm.
- ▶ Prüfen Sie gelegentlich die Abdichtung der Dachdurchführung auf Schäden.

Fehlersuche und Fehlerbehebung

Störung	Mögliche Ursache	Lösungsvorschlag
Die Solaranlage funktioniert nicht (keine Leistungsabgabe).	Isolationsmängel, Brüche oder lose Verbindungen an den stromführenden Kabeln.	<ul style="list-style-type: none">▶ Prüfen Sie stromführende Kabel auf Isolationsmängel, Brüche oder lose Verbindungen.▶ Ziehen Sie die Sicherung des Solarladereglers heraus und prüfen Sie die Spannung (VoC) des Solarmoduls am Solarladeregler.▶ Wenn Sie keinen Fehler finden können, wenden Sie sich an einen autorisierten Kundendienst.
	Solarladeregler defekt.	<ul style="list-style-type: none">▶ Ersetzen Sie den Solarladeregler.
Die Solaranlage funktioniert nicht ordnungsgemäß (schwache Leistungsabgabe).	Gegenstände oder Schmutz blockieren den Lichteinfall.	<ul style="list-style-type: none">▶ Überprüfen Sie, ob Hindernisse vorhanden sind, und stellen Sie sicher, dass die Solarmodule nicht durch Abschattungen verdunkelt werden.▶ Bringen Sie das Fahrzeug an einen geeigneteren Ort.▶ Entfernen Sie jeglichen Schmutz.
	Überhitzung der Solarmodule.	<ul style="list-style-type: none">▶ Lassen Sie die Solarmodule abkühlen.▶ Bringen Sie das Fahrzeug an einen geeigneteren Ort.▶ Sorgen Sie für eine ausreichende Luftzirkulation um die Solarmodule.
	Ein Solarmodul im Array ist ausgefallen.	<ul style="list-style-type: none">▶ Ziehen Sie die Sicherung des Solarladereglers heraus und prüfen Sie die Spannung (VoC) des Solarmoduls am Solarladeregler.▶ Überprüfen Sie die Solarmodule auf Mikrorisse.▶ Überprüfen Sie das Solarmodul auf Ablösungen.▶ Ersetzen Sie bei Bedarf das Solarmodul.

Garantie

Es gilt die gesetzliche Gewährleistungsfrist. Sollte das Produkt defekt sein, wenden Sie sich bitte an Ihren Fachhändler oder die Niederlassung des Herstellers in Ihrem Land (siehe domestic.com/dealer).

Bitte senden Sie bei einem Reparatur- bzw. Garantieantrag folgende Unterlagen mit dem Produkt ein:

- Eine Kopie der Rechnung mit Kaufdatum
- Einen Reklamationsgrund oder eine Fehlerbeschreibung

Bitte beachten Sie, dass eigenständig oder nicht fachgerecht durchgeführte Reparaturen die Sicherheit gefährden und zum Erlöschen der Garantie führen können.

Entsorgung

Recycling von Verpackungsmaterial



- ▶ Geben Sie das Verpackungsmaterial möglichst in den entsprechenden Recycling-Müll.

Recycling von Produkten mit nicht austauschbaren Batterien, wiederaufladbaren Batterien oder Leuchtmitteln




- ▶ Wenn das Produkt nicht austauschbare Batterien, wiederaufladbare Batterien oder Leuchtmittel enthält, brauchen Sie diese vor der Entsorgung nicht zu entfernen.




- ▶ Wenn Sie das Gerät endgültig entsorgen möchten, informieren Sie sich bitte bei Ihrem Wertstoffhof vor Ort oder bei Ihrem Fachhändler, wie dies gemäß den geltenden Entsorgungsvorschriften zu tun ist.
- ▶ Das Produkt kann kostenlos entsorgt werden.


Technische Daten

Solaranlage

	MT 120 FL	MT 240-2 FL	MT 150 FL	MT 300-2 FL
Nennleistung (Wp)	120	240	150	300
Tagesleistung (Wh/Tag)	480	960	660	1320
Abmessungen (B x T x H)	1120 x 540 x 19 mm	2x MT 120 FL	1380 x 540 x 19 mm	2x MT 150 FL
Solarmodul	MT SM 120 FL	2x MT SM 120 FL	MT SM 150 FL	2x MT SM 150 FL
Solarladeregler	MT 150 PP	MT 350 PP	MT MPP 170	MT MPP 440
Gewicht (ohne Kabel)	3,3 kg	6,3 kg	4,9 kg	9,5 kg
Prüfung/Zertifikat				

	MT 170 FLQ	MT 340-2 FLQ
Nennleistung (Wp)	170	340
Tagesleistung (Wh/Tag)	750	1500
Abmessungen (B x T x H)	980 x 980 x 19 mm	2x MT 170 FLQ
Solarmodul	MT SM 170 FLQ	2x MT SM 170 FLQ
Solarladeregler	MT MPP 170	MT MPP 440
Gewicht (ohne Kabel)	5,2 kg	10,1 kg
Prüfung/Zertifikat		

Solarmodul

	MT SM 120 FL	MT SM 150 FL	MT SM 170 FLQ
Art.-Nr.:	9620000138 (SM40120)	9620000259 (SM 40152)	9620000206 (SM 40170)
Nennleistung (Wp)	120	150	170
Tagesleistung (Wh/Tag)	480	660	750
Leistungstoleranz	+/- 10 %	+/- 10 %	+/- 10 %
Kurzschlussstrom (Isc)	6,4 A	6,4 A	7,2 A
Leerlaufspannung (VoC)	23,4 V	29,2 V	27,9 V
Anzahl an Zellen	32	40	42
Zellentyp	Monokristallin		
Umgebungstemperatur	-40 °C bis +85 °C		
Umgebungsfeuchtigkeit	≤ 85 %		
Abmessungen (B x T x H)	1120 x 540 x 19 mm	1382 x 540 x 19 mm	980 x 980 x 19 mm
Gewicht	3,0 kg	4,6 kg	4,9 kg
Prüfung/Zertifikat			

Die Spezifikationen werden unter den Standardtestbedingungen von STC erhalten (STC: Strahlungsintensität 1000 W/m², Modultemperatur 25 °C, AM 1,5).

Solarladeregler (MT 150 PP, MT 350 PP)



Detaillierte Informationen zu den technischen Daten des Solarladereglers finden Sie in der beiliegenden Montage- und Bedienungsanleitung oder online unter https://documents.dometic.com/?object_id=83055

MPP Solarladeregler (MT MPP 170, MT MPP 440)



Detaillierte Informationen zu den technischen Daten des Solarladereglers finden Sie in der beiliegenden Montage- und Bedienungsanleitung oder online unter https://documents.dometic.com/?object_id=83056

Veillez lire et suivre attentivement l'ensemble des instructions, directives et avertissements figurant dans ce manuel afin de vous assurer que vous installez, utilisez et entretenez le produit correctement à tout moment. Ces instructions DOIVENT rester avec le produit.

En utilisant ce produit, vous confirmez expressément avoir lu attentivement l'ensemble des instructions, directives et avertissements et que vous comprenez et acceptez de respecter les modalités et conditions énoncées dans le présent document. Vous acceptez d'utiliser ce produit uniquement pour l'usage et l'application prévus et conformément aux instructions, directives et avertissements figurant dans le présent manuel, ainsi qu'à toutes les lois et réglementations applicables. En cas de non-respect des instructions et avertissements figurant dans ce manuel, vous risquez de vous blesser ou de blesser d'autres personnes, d'endommager votre produit ou d'endommager d'autres biens à proximité. Le présent manuel du produit, y compris les instructions, directives et avertissements, ainsi que la documentation associée peuvent faire l'objet de modifications et de mises à jour. Pour obtenir des informations actualisées sur le produit, veuillez consulter le site documents.dometic.com.

Sommaire

Signification des symboles	26
Consignes de sécurité	26
Contenu de la livraison	29
Accessoires	29
Usage conforme	29
Description technique	30
Installation du système solaire	30
Utilisation	31
Nettoyage et entretien	31
Dépannage	32
Garantie	33
Mise au rebut	33
Caractéristiques techniques	34

Signification des symboles



DANGER !

Consignes de sécurité : indiquent une situation dangereuse qui, si elle n'est pas évitée, entraînera des blessures graves, voire mortelles.



AVERTISSEMENT !

Consignes de sécurité : indiquent une situation dangereuse qui, si elle n'est pas évitée, est susceptible d'entraîner des blessures graves, voire mortelles.



ATTENTION !

Consignes de sécurité : indiquent une situation dangereuse qui, si elle n'est pas évitée, est susceptible d'entraîner des blessures légères ou de gravité modérée.



AVIS !

indiquent une situation dangereuse qui, si elle n'est pas évitée, peut entraîner des dommages matériels.



REMARQUE

Informations complémentaires sur l'utilisation de ce produit.

Consignes de sécurité

Respectez également les consignes de sécurité et autres prescriptions fournies par le fabricant du véhicule et par les ateliers agréés.

Sécurité générale



AVERTISSEMENT ! Le non-respect de cette mise en garde entraînera des blessures graves, voire mortelles.

Risque d'électrocution

- Les panneaux solaires génèrent du courant continu et sont des sources d'électricité lorsqu'ils sont exposés à la lumière du soleil ou à d'autres sources lumineuses. N'entrez pas en contact avec les parties sous tension du panneau solaire, telles que les bornes, car cela peut provoquer des brûlures, des étincelles et des chocs mortels, que le module soit connecté ou déconnecté.
- N'installez pas le système solaire lorsque les panneaux solaires sont exposés à la lumière du soleil ou à d'autres sources lumineuses. Couvrez tous les panneaux solaires avec un tissu ou un matériau opaque pour empêcher la production d'électricité lors de l'installation ou de toute intervention sur les panneaux solaires ou les câbles.

- L'installation et le retrait du système solaire doivent uniquement être réalisés par un opérateur qualifié.
- N'utilisez pas le système solaire si un composant est visiblement endommagé.
- Si le câble de raccordement de l'appareil est endommagé, il doit être remplacé par le fabricant, un agent de service ou une personne de qualification similaire, afin d'éviter tout danger.
- Seul un technicien qualifié est habilité à réparer le système solaire. Des réparations inadéquates peuvent engendrer des risques considérables.
- Si vous démontez l'appareil :
 - Débranchez tous les raccords.
 - Assurez-vous qu'aucune entrée ou sortie n'est sous tension.
- Utilisez uniquement les accessoires recommandés par le fabricant.
- Ne modifiez pas et n'adaptez pas les composants de quelque manière que ce soit.

Risque de blessure

- Lorsqu'ils sont exposés à la lumière directe du soleil, les panneaux solaires peuvent chauffer jusqu'à une température de 70 °C. N'entrez pas en contact avec la surface des panneaux solaires pour éviter les brûlures.

Risque pour la santé

- Cet appareil peut être utilisé par des enfants âgés de 8 ans et plus et des personnes ayant des capacités physiques, sensorielles ou mentales réduites ou un manque d'expérience et de connaissances, s'ils sont sous surveillance ou ont reçu des instructions sur l'utilisation de l'appareil en toute sécurité et comprennent les risques impliqués.
- **Les appareils électriques ne sont pas des jouets pour enfants.**
Placez et utilisez l'appareil hors de portée des jeunes enfants.
- Les enfants doivent être surveillés pour s'assurer qu'ils ne jouent pas avec l'appareil.
- Le nettoyage et l'entretien ne doivent pas être effectués par des enfants sans surveillance.



AVIS ! Risque d'endommagement

- Veillez à ce que d'autres objets ne **puissent** pas provoquer aucun court-circuit au niveau des contacts de l'appareil.
- Assurez-vous que les pôles négatifs et positifs n'entrent **jamais** en contact.

- Ne marchez ou ne vous appuyez pas sur les panneaux solaires.
- N'appliquez pas de charge excessive sur la vitre ou le panneau arrière des panneaux solaires, car cela pourrait briser les cellules ou provoquer des microfissures.
- Stockez le système solaire dans un endroit sûr avant le montage ou après le démontage. Protégez les panneaux solaires contre tout risque de chute.

Installation de l'appareil en toute sécurité



DANGER ! Le non-respect de cette mise en garde entraînera des blessures graves, voire mortelles.

Risque d'explosion

- Ne montez jamais l'appareil dans des zones exposées à des gaz et poussières explosifs.



AVERTISSEMENT ! Le non-respect de ces mises en garde peut entraîner des blessures graves, voire mortelles.

Risque de blessure

- Si vous installez le système solaire sur un toit :
 - Ne procédez pas à l'installation et au montage en cas de vents forts.
 - Protégez-vous, ainsi que les autres personnes des risques de chutes.
 - Évitez toute chute d'objets.
 - Sécurisez la zone de travail de sorte qu'aucune autre personne ne puisse être blessée.



AVIS ! Risque d'endommagement

- Les panneaux solaires mal montés peuvent se détacher et tomber. N'utilisez pas de silicone ni aucun autre type de colle que celui fourni pour garantir une adhérence optimale.

Consignes de sécurité relatives au raccordement électrique de l'appareil



AVERTISSEMENT ! Le non-respect de ces mises en garde peut entraîner des blessures graves, voire mortelles.

Risque d'électrocution

- Seul un électricien spécialisé est habilité à effectuer l'installation, en respectant les directives nationales. Tout raccordement incorrect risquerait d'entraîner de graves dangers.
- Lorsque vous effectuez des travaux sur des installations électriques, assurez-vous qu'une personne pouvant vous apporter assistance en cas d'urgence se trouve à proximité.
- Utilisez uniquement les sections de câble recommandées.
- Posez les câbles de manière à ce qu'ils ne puissent pas être endommagés par les portières ou par le capot.
Des câbles comprimés peuvent entraîner des blessures mortelles.



AVIS ! Risque d'endommagement

- Ne dépassez pas les valeurs nominales de courant et de tension du chargeur solaire. Installez uniquement des panneaux solaires jusqu'à la puissance nominale maximale du chargeur solaire utilisé. Si votre système solaire dépasse ces valeurs nominales, contactez votre revendeur pour obtenir un chargeur solaire adapté.
- Si des lignes électriques doivent traverser des cloisons en tôle ou autres murs à arêtes vives, utilisez des tubes vides ou des conduits pour câbles.
- Ne placez **pas** les câbles 230 V et la ligne de courant continu 12 V dans le même conduit.
- Ne posez **pas** les câbles sans les fixer ou en les pliant fortement.
- Fixez les câbles solidement.
- Ne tirez pas sur les câbles.

Consignes de sécurité concernant le fonctionnement de l'appareil



DANGER ! Le non-respect de cette mise en garde entraînera des blessures graves, voire mortelles.

Risque d'électrocution

- Ne touchez jamais les câbles dénudés à mains nues.



AVERTISSEMENT ! Le non-respect de ces mises en garde peut entraîner des blessures graves, voire mortelles.

Risque de blessure

- Au début de chaque trajet et à intervalles réguliers pendant chaque trajet, vérifiez que les panneaux solaires sont bien fixés au toit. Un panneau solaire mal monté peut tomber pendant le trajet et blesser d'autres usagers de la route.



ATTENTION ! Le non-respect de ces mises en garde peut entraîner des blessures légères ou de gravité modérée.

Risque d'explosion

- N'utilisez **pas** l'appareil dans les conditions suivantes :
 - À proximité de vapeurs agressives,
 - À proximité de matériaux inflammables,
 - Dans les zones présentant un risque d'explosion



AVIS ! Risque d'endommagement

- Évitez les chocs et les vibrations importants pendant la conduite.

Contenu de la livraison

Élément dans fig. 1, page 3	Désignation	Qté.
1	Panneau solaire (MT 120 FL, MT 150 FL, MT 170 FLQ)	1
1	Panneau solaire (MT 240-2 FL, MT 300-2 FL, MT 340-2 FLQ)	2
2	Conduite de toit	1
3	Chargeur solaire	1
4	Kit de colle	1
5	Câble intérieur (2 x 4 mm ²)	1
6	Capteur de température	1
7	Connecteur de câble	2
8	Kit de câbles EBL	1
-	Instructions de montage et de service du chargeur solaire	1

Accessoires

Disponibles comme accessoires (non compris dans la livraison) :

Description	Référence produit
Moniteur solaire MT iQ LED I	9620000230 (MT 71242)
Moniteur solaire MT iQ LCD III	9620000328 (MT 01250)
MT iQ SolarPRO	9620000309 (MT 01240)

Usage conforme

Le système solaire est conçu pour convertir la lumière du soleil en courant continu (CC) afin de charger des batteries rechargeables de 12 V dans les véhicules ou les bateaux pendant la conduite, ou de les alimenter en tension d'entretien pour la production d'électricité. La batterie peut également être utilisée pour fournir une source d'alimentation stable aux appareils CC connectés à celle-ci.

Le système solaire est adapté à ce qui suit :

- Installation dans des caravanes ou des camping-cars
- Utilisation stationnaire ou mobile
- Conditions de fonctionnement extrêmes (expéditions)
- Vents d'une vitesse maximale de 225 km/h

Le système solaire **n'est pas** adapté à ce qui suit :

- Fonctionnement sur secteur
- Applications portables

Le rendement énergétique des panneaux solaires connectés ne doit pas dépasser le rendement maximal indiqué dans les données techniques.

Ce produit convient uniquement à l'usage et à l'application prévus, conformément aux présentes instructions.

Ce manuel fournit les informations nécessaires à l'installation et/ou à l'utilisation correcte du produit. Une installation, une utilisation ou un entretien inappropriés entraînera des performances insatisfaisantes et une éventuelle défaillance.

Le fabricant décline toute responsabilité en cas de blessure ou de dégâts sur le produit résultant :

- D'un montage ou d'un raccordement incorrect, y compris d'une surtension
- D'un entretien inadapté ou de l'utilisation de pièces de rechange autres que les pièces de rechange d'origine fournies par le fabricant
- De modifications apportées au produit sans autorisation explicite du fabricant
- D'usages différents de ceux décrits dans ce manuel

Dometic se réserve le droit de modifier l'apparence et les spécifications produit.

Description technique

Les panneaux solaires sont particulièrement plats et fixés directement sur le toit du véhicule. Les panneaux solaires peuvent être installés sur des surfaces de toit légèrement incurvées et supporter le poids d'une personne.

Le système solaire peut être étendu en ajoutant d'autres panneaux solaires de même puissance.

Le chargeur solaire est connecté entre les panneaux solaires et la batterie pour garantir un courant de charge adapté et protéger la batterie contre les surtensions et les décharges complètes.

Installation du système solaire



AVERTISSEMENT ! Risque d'électrocution

Couvrez complètement tous les panneaux solaires avec un matériau opaque pendant l'installation pour empêcher la production d'électricité.

Emplacement de montage

Lors de la sélection de l'emplacement de montage, respectez les consignes suivantes :

- La surface de montage doit être plane et suffisamment stable pour supporter le panneau solaire.
- Assurez-vous que les dimensions de la surface de montage sont suffisantes.
- Assurez-vous qu'il y ait suffisamment d'espace pour accéder aux panneaux solaires et aux autres composants fixes en vue d'une maintenance ultérieure.
- Veillez à ne pas obstruer les ouvertures de ventilation existantes sur le véhicule.
- L'ombrage peut réduire les performances du système solaire. Assurez-vous que les composants fixes, tels que les climatiseurs ou les antennes satellites extérieures, ne projettent aucune ombre sur les panneaux solaires.
- Choisissez un endroit exposé à la lumière directe du soleil pour des performances optimales.

- Placez plusieurs panneaux solaires aussi près que possible les uns des autres.
- Ne collez pas les panneaux solaires ou les conduites de toit sur des surfaces caoutchoutées (par ex. bordures extérieures), car l'adhérence de la colle n'est pas garantie.

Préparation au montage

- Marquez et préparez les surfaces à coller, voir fig. **4**, page 4 à fig. **7**, page 4.

Montage du système solaire



AVERTISSEMENT ! Risque de blessure

N'utilisez pas de silicone ou tout autre type de colle que celui fourni.

- Pour monter le système solaire, procédez comme indiqué fig. **8**, page 5 à fig. **16**, page 6.

Connexion du câble extérieur et du câble intérieur (fig. **17**, page 6)



REMARQUE

La longueur du câble doit être aussi réduite que possible.

1. Dénudez les extrémités de câble comme suit :
 - Câble extérieur 11 mm (2,5 mm²)
 - Câble intérieur 11 mm (4 mm²)
2. Connectez le câble extérieur au câble intérieur à un point approprié à l'aide du connecteur de câble (**1**).

Connexion du chargeur solaire (MT 150 PP, MT 350 PP)



Pour plus d'informations sur l'installation du chargeur solaire, consultez les instructions de montage et de service jointes ou la version en ligne à l'adresse https://documents.dometic.com/?object_id=83055



Respectez également les instructions et les consignes de sécurité pour tous les autres composants utilisés dans le système solaire.

Connexion du chargeur solaire MPP (MT MPP 170, MT MPP 440)



Pour plus d'informations sur l'installation du chargeur solaire, consultez les instructions de montage et de service jointes ou la version en ligne à l'adresse https://documents.dometic.com/?object_id=83056



Respectez également les instructions et les consignes de sécurité pour tous les autres composants utilisés dans le système solaire.

Utilisation

Pour une utilisation optimale du système solaire, notez ce qui suit :

- La quantité d'électricité produite par le système solaire diffère en fonction de l'intensité du rayonnement solaire pendant la journée. Plus le système solaire est exposé à la lumière du soleil, plus la production d'électricité est importante. La quantité d'électricité produite est affectée par les conditions suivantes :
 - Temps nuageux
 - Variations saisonnières du rayonnement solaire
 - Variations de l'angle du soleil
 - Ombrage ou salissure du système solaire
- Plus les panneaux solaires chauffent, plus les performances du système solaire diminuent. Assurez une ventilation adéquate et évitez l'exposition aux rayonnements solaires excessifs.



AVIS ! Risque d'endommagement

- Ne nettoyez pas le système solaire avec un appareil haute pression.
 - N'utilisez aucun objet coupant ou dur, de détergents abrasifs ou d'eau de javel pour le nettoyage, car cela pourrait endommager l'appareil.
- Vérifiez régulièrement que les câbles sous tension ne présentent pas de défauts d'isolation, de coupures, de dommages causés par des rongeurs, d'usure due aux intempéries et que toutes les connexions sont bien serrées et exemptes de corrosion.
 - Vérifiez régulièrement que la surface des panneaux solaires est exempte de fissures et qu'aucun composant n'est manquant ou défectueux.
 - Pour des performances optimales, veillez à ce que le panneau solaire soit exempt de saletés et de sources d'ombrage, telles que la poussière et les feuilles. Nettoyez les panneaux solaires avec un chiffon doux et humide ou une éponge.
 - De temps à autre, vérifiez que les joints d'étanchéité de la conduite de toit sont exemptes de tout dégât.

Nettoyage et entretien



AVERTISSEMENT ! Risque d'électrocution

Une vitre de panneau solaire brisée peut provoquer des chocs électriques ou un incendie. Ces panneaux ne peuvent pas être réparés et doivent être remplacés immédiatement. Contactez un agent de service agréé.



ATTENTION ! Risque de blessure

Laissez le panneau solaire refroidir avant de le nettoyer afin d'éviter toute brûlure ou détérioration du panneau solaire en raison de différences de température excessives. Nettoyez les panneaux solaires tôt le matin ou en fin d'après-midi, lorsque la lumière du soleil est faible et que les panneaux solaires sont plus froids.

Dépannage

Panne	Cause possible	Solution proposée
Le système solaire ne fonctionne pas (aucune puissance en sortie).	Défauts d'isolation, coupures ou connexions desserrées au niveau des câbles sous tension.	<ul style="list-style-type: none">➤ Vérifiez que les câbles sous tension ne présentent pas de défauts d'isolation, de coupures ou de connexions desserrées.➤ Retirez le fusible du chargeur solaire et vérifiez la tension du panneau solaire (VoC) sur le chargeur solaire.➤ Si vous ne trouvez pas d'erreur, contactez un agent de service agréé.
	Chargeur solaire défectueux.	<ul style="list-style-type: none">➤ Remplacez le chargeur solaire.
Le système solaire ne fonctionne pas correctement (aucune puissance en sortie).	Des objets ou saletés obstruent la lumière.	<ul style="list-style-type: none">➤ Vérifiez l'absence d'obstructions et assurez-vous que les panneaux solaires ne sont pas obscurcis par des ombres.➤ Déplacez le véhicule à un endroit plus approprié.➤ Retirez toute la poussière.
	Surchauffe des panneaux solaires.	<ul style="list-style-type: none">➤ Laissez les panneaux solaires refroidir.➤ Déplacez le véhicule à un endroit plus approprié.➤ Assurez-vous que la circulation d'air autour des panneaux solaires est suffisante.
	Un panneau solaire du système est en panne.	<ul style="list-style-type: none">➤ Retirez le fusible du chargeur solaire et vérifiez la tension du panneau solaire (VoC) sur le chargeur solaire.➤ Vérifiez l'absence de microfissures sur les panneaux solaires.➤ Contrôlez le délaminage du panneau solaire.➤ Remplacez le panneau solaire si nécessaire.

Garantie

La période de garantie légale s'applique. Si le produit est défectueux, contactez votre revendeur ou la filiale locale du fabricant (voir dometic.com/dealer).

Pour toutes réparations ou autres prestations de garantie, veuillez joindre au produit les documents suivants :

- Une copie de la facture avec la date d'achat
- Un motif de réclamation ou une description du dysfonctionnement

Notez que toute réparation effectuée par une personne non agréée peut présenter un risque de sécurité et annuler la garantie.

Mise au rebut

Recyclage des emballages



- Dans la mesure du possible, jetez les emballages dans les conteneurs de déchets recyclables prévus à cet effet.

Recyclage des produits contenant des piles non remplaçables, des batteries ou des sources lumineuses rechargeables




- Si le produit contient des piles non remplaçables, des batteries ou des sources lumineuses rechargeables, vous n'avez pas besoin de les retirer avant de les mettre au rebut.




- Si vous souhaitez mettre le produit au rebut, contactez le centre de recyclage le plus proche ou votre revendeur spécialisé afin d'être informé des réglementations liées au traitement des déchets.
- Le produit peut être mis au rebut gratuitement.


Caractéristiques techniques

Système solaire

	MT 120 FL	MT 240-2 FL	MT 150 FL	MT 300-2 FL
Rendement nominal (Wp)	120	240	150	300
Rendement quotidien (Wh/jour)	480	960	660	1320
Dimensions (l x P x H)	1120 x 540 x 19 mm	2 x MT 120 FL	1380 x 540 x 19 mm	2 x MT 150 FL
Panneau solaire	MT SM 120 FL	2 x MT SM 120 FL	MT SM 150 FL	2 x MT SM 150 FL
Chargeur solaire	MT 150 PP	MT 350 PP	MT MPP 170	MT MPP 440
Poids (sans câbles)	3,3 kg	6,3 kg	4,9 kg	9,5 kg
Contrôle/certification				

	MT 170 FLQ	MT 340-2 FLQ
Rendement nominal (Wp)	170	340
Rendement quotidien (Wh/jour)	750	1500
Dimensions (l x P x H)	980 x 980 x 19 mm	2 x MT 170 FLQ
Panneau solaire	MT SM 170 FLQ	2 x MT SM 170 FLQ
Chargeur solaire	MT MPP 170	MT MPP 440
Poids (sans câbles)	5,2 kg	10,1 kg
Contrôle/certification		

Panneau solaire

	MT SM 120 FL	MT SM 150 FL	MT SM 170 FLQ
N° d'article	9620000138 (SM40120)	9620000259 (SM 40152)	9620000206 (SM 40170)
Rendement nominal (Wp)	120	150	170
Rendement quotidien (Wh/jour)	480	660	750
Tolérance de puissance	+/- 10 %	+/- 10 %	+/- 10 %
Courant de court-circuit (ISC)	6,4 A	6,4 A	7,2 A
Tension de circuit ouvert (VoC)	23,4 V	29,2 V	27,9 V
Nombre de cellules	32	40	42
Type de cellule	Monocristalline		
Température ambiante	-40 °C à +85 °C		
Humidité ambiante	≤ 85 %		
Dimensions (l x P x H)	1120 x 540 x 19 mm	1382 x 540 x 19 mm	980 x 980 x 19 mm
Poids	3,0 kg	4,6 kg	4,9 kg
Contrôle/certification			

Les spécifications sont obtenues dans les conditions de test standard de STC (STC : Irradiance 1000 W/m², température du panneau 25 °C, AM 1,5).

Chargeur solaire (MT 150 PP, MT 350 PP)



Pour plus d'informations sur les données techniques du chargeur solaire, consultez les instructions de montage et de service jointes ou la version en ligne à l'adresse https://documents.dometic.com/?object_id=83055

Chargeur solaire MPP (MT MPP 170, MT MPP 440)



Pour plus d'informations sur les données techniques du chargeur solaire, consultez les instructions de montage et de service jointes ou la version en ligne à l'adresse https://documents.dometic.com/?object_id=83056

Leggere attentamente e seguire tutte le istruzioni, le linee guida e le avvertenze incluse in questo manuale del prodotto, per assicurarsi che il prodotto venga sempre installato, utilizzato e mantenuto nel modo corretto. Queste istruzioni DEVONO essere conservate insieme al prodotto.

Utilizzando il prodotto, l'utente conferma di aver letto attentamente tutte le istruzioni, le linee guida e le avvertenze e di aver compreso e accettato di rispettare i termini e le condizioni qui espressamente indicati. L'utente accetta di utilizzare questo prodotto solo per lo scopo e l'applicazione previsti e in conformità con le istruzioni, le linee guida e le avvertenze indicate nel presente manuale del prodotto, nonché con tutte le leggi e i regolamenti applicabili. La mancata lettura e osservanza delle istruzioni e delle avvertenze qui espressamente indicate può causare lesioni personali e a terzi, danni al prodotto o ad altre proprietà nelle vicinanze. Il presente manuale del prodotto, comprese le istruzioni, le linee guida e le avvertenze e la relativa documentazione possono essere soggetti a modifiche e aggiornamenti. Per informazioni aggiornate sul prodotto, visitare il sito documents.dometic.com.

Indice

Spiegazione dei simboli	36
Istruzioni per la sicurezza	36
Dotazione	38
Accessori	38
Destinazione d'uso	38
Descrizione delle caratteristiche tecniche	39
Installazione dell'impianto solare	39
Funzionamento	40
Pulizia e cura	41
Risoluzione dei problemi	42
Garanzia	43
Smaltimento	43
Specifiche tecniche	44

Spiegazione dei simboli



PERICOLO!

Istruzione per la sicurezza: indica una situazione di pericolo che, se non evitata, provoca lesioni gravi o mortali.



AVVERTENZA!

Istruzione per la sicurezza: indica una situazione di pericolo che, se non evitata, può provocare lesioni gravi o mortali.



ATTENZIONE!

Istruzione per la sicurezza: indica una situazione di pericolo che, se non evitata, può provocare lesioni di entità lieve o moderata.



AVVISO!

Indica una situazione di pericolo che, se non evitata, può provocare danni alle cose.



NOTA

Informazioni supplementari relative all'impiego del prodotto.

Istruzioni per la sicurezza

Osservare anche le indicazioni di sicurezza e le condizioni previste dal fabbricante del veicolo e dalle officine autorizzate.

Sicurezza generale



AVVERTENZA! La mancata osservanza di queste avvertenze può causare la morte o lesioni gravi.

Pericolo di scosse elettriche

- I pannelli solari generano corrente continua e sono fonti di elettricità se esposti alla luce solare o ad altre fonti di luce. Non entrare in contatto con le parti sotto tensione del pannello solare, come i terminali, poiché ciò potrebbe causare ustioni, scintille e scosse letali, sia che il modulo sia collegato o scollegato.
- Non installare l'impianto solare quando i pannelli solari sono esposti alla luce solare o ad altre fonti di luce. Coprire tutti i pannelli solari con un panno o materiale opaco per evitare la produzione di elettricità durante l'installazione o l'utilizzo di pannelli solari o cablaggi.
- L'installazione e la rimozione dell'impianto solare possono essere eseguite soltanto da personale qualificato.
- Non utilizzare l'impianto solare se uno qualsiasi dei componenti è visibilmente danneggiato.
- Per evitare possibili pericoli legati alla sicurezza, se il cavo di alimentazione del presente apparecchio è danneggiato deve essere sostituito dal produttore, da un tecnico del servizio di assistenza oppure da personale ugualmente qualificato.

- L'impianto solare può essere riparato solo da personale qualificato. Riparazioni eseguite non correttamente possono creare considerevoli rischi.
- Se l'apparecchio viene smontato:
 - Staccare tutti i collegamenti.
 - Assicurarsi che tutte le uscite e tutti gli ingressi siano privi di tensione.
- Utilizzare esclusivamente gli accessori consigliati dal produttore.
- Non modificare o adattare alcun componente in alcun modo.

Rischio di lesioni

- Se esposti alla luce solare diretta, i pannelli solari possono riscaldarsi fino a una temperatura di 70 °C. Non entrare in contatto con la superficie dei pannelli solari per evitare ustioni.

Pericolo per la salute

- Questo apparecchio può essere utilizzato da bambini di età superiore a 8 anni, da persone con ridotte capacità fisiche, sensoriali o mentali o da persone inesperte o prive di conoscenze specifiche solo se sorvegliate o preventivamente istruite sull'impiego dell'apparecchio in sicurezza e se informate dei pericoli legati al prodotto stesso e in grado di comprenderli.
- **I dispositivi elettrici non sono giocattoli.** Conservare e utilizzare l'apparecchio lontano dalla portata dei bambini molto piccoli.
- Controllare che i bambini non giochino con questo apparecchio.
- La pulizia e la manutenzione non devono essere eseguite da bambini senza la presenza di un adulto.



AVVISO! Rischio di danni

- Assicurarsi che altri oggetti **non possano** causare un cortocircuito sui contatti dell'apparecchio.
- Assicurarsi che i poli negativi e positivi non entrino **mai** in contatto.
- Non salire sui pannelli solari e non appoggiatevi sopra.
- Non applicare un carico eccessivo sul vetro o sulla lastra posteriore dei pannelli solari, poiché ciò potrebbe rompere le celle o causare microincrinature.

- Conservare l'impianto solare in un luogo sicuro prima del montaggio o dopo lo smontaggio. Proteggere i pannelli solari in modo che non si ribaltino o cadano.

Installazione del dispositivo in sicurezza



PERICOLO! La mancata osservanza di queste avvertenze può causare la morte o lesioni gravi.

Pericolo di esplosione

- Non montare mai l'apparecchio in zone dove sussiste il rischio di esplosioni di gas o polveri.



AVVERTENZA! La mancata osservanza di queste avvertenze potrebbe causare la morte o lesioni gravi.

Rischio di lesioni

- Se si installa l'impianto solare su un tetto:
 - Non eseguire l'installazione e il montaggio in condizioni di forte vento.
 - Proteggere se stessi e le altre persone da cadute.
 - Evitare la possibile caduta di oggetti.
 - Assicurare l'area di lavoro in modo che nessuno possa ferirsi.



AVVISO! Rischio di danni

- I pannelli solari montati in modo errato possono allentarsi e cadere. Per garantire un'adesione ottimale, non utilizzare silicone o altro collante diverso da quello fornito.

Sicurezza durante il collegamento elettrico dell'apparecchio



AVVERTENZA! La mancata osservanza di queste avvertenze potrebbe causare la morte o lesioni gravi.

Pericolo di scosse elettriche

- L'installazione elettrica deve essere collegata solo da personale qualificato conformemente alle prescrizioni nazionali. Un collegamento non eseguito correttamente può causare rischi enormi.
- Quando si eseguono lavori agli impianti elettrici, assicurarsi che nelle vicinanze si trovi qualcuno in grado di intervenire in caso di necessità.
- Rispettare le sezioni dei cavi consigliate.

- Posare i cavi in modo che non possano essere danneggiati da porte o oblò.

Cavi schiacciati possono causare lesioni gravi.



AVVISO! Rischio di danni

- Non superare i valori nominali di corrente e tensione del caricabatterie solare. Installare i pannelli solari solo fino alla potenza nominale massima del caricabatterie usato. Se il vostro impianto solare supera questi valori nominali, contattare il vostro rivenditore per un caricabatterie solare adatto.
- Utilizzare tubi vuoti o canaline per cavi qualora i cavi debbano passare attraverso pannelli in lamiera oppure pannelli con spigoli vivi.
- **Non** posare la linea di rete da 230 V e la linea 12 V CC insieme nello stesso condotto.
- **Non** posare i cavi lasciandoli penzolare o creando strozzature.
- Fissare i cavi in modo saldo.
- Non tirare i cavi.

Sicurezza durante l'utilizzo del dispositivo



PERICOLO! La mancata osservanza di queste avvertenze può causare la morte o lesioni gravi.

Pericolo di scosse elettriche

- Non toccare mai i cavi esposti a mani nude.



AVVERTENZA! La mancata osservanza di queste avvertenze potrebbe causare la morte o lesioni gravi.

Rischio di lesioni

- All'inizio di ogni viaggio e a intervalli regolari durante ogni viaggio, controllare che i pannelli solari siano fissati saldamente al tetto. Un pannello solare montato in modo errato può cadere durante il viaggio e causare lesioni agli altri utenti della strada.



ATTENZIONE! La mancata osservanza di queste precauzioni potrebbe causare lesioni lievi o moderate.

Pericolo di esplosione

- **Non** utilizzare l'apparecchio nelle condizioni seguenti:
 - In prossimità di vapori aggressivi
 - In prossimità di materiali infiammabili
 - In zone a rischio di esplosione



AVVISO! Rischio di danni

- Evitare forti urti e vibrazioni durante la guida.

Dotazione

Posizione nella fig. 1, pagina 3	Denominazione	Q.tà
1	Pannello solare (MT 120 FL, MT 150 FL, MT 170 FLQ)	1
1	Pannello solare (MT 240-2 FL, MT 300-2 FL, MT 340-2 FLQ)	2
2	Condotto del tetto	1
3	Caricabatterie solare	1
4	Kit di collanti	1
5	Cavo per interni (2 x 4 mm ²)	1
6	Sensore di temperatura	1
7	Connettore per cavi	2
8	Kit di cavi EBL	1
–	Istruzioni di montaggio e d'uso per il caricabatterie solare	1

Accessori

Disponibili come accessori (non in dotazione):

Descrizione	SKU
MT iQ Solar Monitor LED I	9620000230 (MT 71242)
MT iQ Solar Monitor LCD III	9620000328 (MT 01250)
MT iQ SolarPRO	9620000309 (MT 01240)

Destinazione d'uso

L'impianto solare è progettato per convertire la luce solare in corrente continua (CC) per caricare batterie ricaricabili da 12 V in veicoli o imbarcazioni durante la guida o per fornire una tensione di mantenimento per la generazione di energia. L'alimentazione a batteria può inoltre essere utilizzata come alimentazione stabile per azionare i dispositivi alimentati a corrente continua collegati alla batteria.

L'impianto solare è adatto per:

- Essere installato su camper e caravan
- Uso fisso o mobile
- Condizioni operative Estreme (utilizzo durante spedizioni)
- Velocità del vento fino a 225 km/h

L'impianto solare **non** è adatto per:

- Alimentazione da rete pubblica
- Applicazioni portatili

L'energia erogata dai pannelli solari collegati non può superare la potenza massima indicata nella scheda tecnica.

Questo prodotto è adatto solo per l'uso e l'applicazione previsti in conformità con le presenti istruzioni.

Il presente manuale fornisce le informazioni necessarie per la corretta installazione e/o il funzionamento del prodotto. Un'installazione errata e/o un utilizzo o una manutenzione impropri comporteranno prestazioni insoddisfacenti e un possibile guasto.

Il fabbricante non si assume alcuna responsabilità per eventuali lesioni o danni al prodotto che derivino da:

- Montaggio o collegamento non corretti, compresa la sovratensione
- Manutenzione non corretta o uso di parti di ricambio diverse da quelle originali fornite dal fabbricante
- Modifiche al prodotto senza esplicita autorizzazione del fabbricante
- Impiego per scopi diversi da quelli descritti nel presente manuale

Dometic si riserva il diritto di modificare l'aspetto e le specifiche del prodotto.

Descrizione delle caratteristiche tecniche

I pannelli solari sono particolarmente piatti e attaccati direttamente al tetto del veicolo. I pannelli solari possono essere applicati su superfici del tetto leggermente curve e ci si può camminare sopra.

L'impianto solare può essere esteso con altri pannelli solari della stessa potenza.

Il caricabatterie solare è collegato tra i pannelli solari e la batteria per garantire la corretta corrente di carica delle batterie e per proteggere le batterie da sovratensione e scaricamento completo.

Installazione dell'impianto solare



AVVERTENZA! Pericolo di scosse elettriche

Durante l'installazione coprire completamente tutti i pannelli solari con un materiale opaco per evitare la generazione di elettricità.

Punto di montaggio

Nel selezionare la posizione di installazione, considerare quanto segue:

- La superficie di montaggio deve essere piana e sufficientemente stabile da supportare il pannello solare.
- Assicurarsi che la superficie di montaggio stabilita sia sufficientemente dimensionata.
- Assicurarsi che vi sia spazio sufficiente per accedere ai pannelli solari e ad altri componenti fissi per la futura manutenzione.
- Assicurarsi di non bloccare le aperture di ventilazione esistenti sul veicolo.
- L'ombreggiatura può ridurre le prestazioni del sistema solare. Assicurarsi che i componenti fissi, come i condizionatori d'aria o le antenne satellitari aperte, non oscurino i pannelli solari.
- Per prestazioni ottimali, scegliete un luogo con luce solare diretta.
- Posizionare più pannelli solari il più vicino possibile l'uno all'altro.

- Non incollare i pannelli solari o i condotti del tetto su superfici in gomma (ad esempio, tavolo esterno), poiché l'adesione della colla non è garantita.

Operazioni preliminari al montaggio

- Contrassegnare e preparare le superfici di contatto, vedi da fig. **4**, pagina 4 a fig. **7**, pagina 4.

Montaggio dell'impianto solare



AVVERTENZA! Rischio di lesioni

Non utilizzare silicone o altro collante diverso da quello fornito.

- Per montare l'impianto solare, procedere come illustrato nella fig. **8**, pagina 5 alla fig. **16**, pagina 6.

Collegamento del cavo per esterni e del cavo per interni (fig. **17**, pagina 6)



NOTA

La lunghezza del cavo deve essere più corta possibile.

1. Spelare le estremità dei cavi come segue:
 - Cavo per esterni da 11 mm (2,5 mm²)
 - Cavo per interni da 11 mm (4 mm²)
2. Collegare il cavo per esterni al cavo per interni in un punto adatto utilizzando il connettore del cavo (**1**).

Collegamento del caricabatterie solare (MT 150 PP, MT 350 PP)



Le informazioni sull'installazione del caricabatterie solare sono disponibili nelle istruzioni di montaggio e d'uso allegate oppure online all'indirizzo https://documents.dometic.com/?object_id=83055



Osservare anche le istruzioni e le precauzioni di sicurezza per tutti gli altri componenti utilizzati nell'impianto solare.

Collegamento del caricatore solare MPP (MT MPP 170, MT MPP 440)



Le informazioni sull'installazione del caricabatterie solare sono disponibili nelle istruzioni di montaggio e d'uso allegate oppure online all'indirizzo https://documents.dometic.com/?object_id=83056



Osservare anche le istruzioni e le precauzioni di sicurezza per tutti gli altri componenti utilizzati nell'impianto solare.

Funzionamento

Per un uso ottimale dell'impianto solare, tenere presente quanto segue:

- L'impianto solare genera diverse quantità di elettricità a seconda della quantità di luce solare durante il giorno. Maggiore è la luce solare che cade sull'impianto solare, maggiore sarà la quantità di elettricità generata. La quantità di elettricità generata è influenzata dalle seguenti condizioni:
 - Clima nuvoloso
 - Radiazione solare stagionale
 - Variazioni dell'angolo del sole
 - Ombreggiatura o sporizia dell'impianto solare
- Le prestazioni dell'impianto solare si riducono all'aumentare del riscaldamento dei pannelli solari. Garantire un'adeguata ventilazione ed evitare eccessive radiazioni solari.

Pulizia e cura



AVVERTENZA! Pericolo di scosse elettriche

Il vetro rotto di un pannello solare può provocare scosse elettriche o incendi. Questi pannelli non possono essere riparati e devono essere sostituiti immediatamente. Contattare il servizio di assistenza autorizzato.



ATTENZIONE! Rischio di lesioni

Lasciare raffreddare il pannello solare prima di pulirlo per evitare ustioni o danni al pannello stesso a causa di eccessive differenze di temperatura. Pulire i pannelli solari nelle prime ore del mattino o nel tardo pomeriggio quando la luce solare è bassa e i pannelli solari sono più freddi.



AVVISO! Rischio di danni

- Non pulire l'impianto solare con un'idropulitrice.
- Per la pulizia non impiegare oggetti appuntiti o duri, detersivi abrasivi o candeggina, perché potrebbero danneggiare l'apparecchio.

- ▶ Controllare regolarmente che i cavi sotto tensione non presentino guasti nell'isolamento, eventuali rotture, danni causati da roditori, intemperie e che tutti i collegamenti siano serrati e privi di corrosione.
- ▶ Controllare regolarmente che la superficie dei pannelli solari non presenti crepe e componenti mancanti o difettosi.
- ▶ Per prestazioni ottimali, mantenere il pannello solare libero da sporcizia e ombreggiature, ad esempio polvere e foglie. Pulire i pannelli solari con una spugna o un panno morbidi e umidi.
- ▶ Controllare occasionalmente la tenuta del condotto del tetto per verificare l'eventuale presenza di danni.

Risoluzione dei problemi

Guasto	Possibile causa	Proposta di soluzione
L'impianto solare non funziona (nessuna potenza in uscita).	Difetti di isolamento, rotture o collegamenti allentati in corrispondenza dei cavi sotto tensione.	<ul style="list-style-type: none">▶ Controllare che i cavi sotto tensione non presentino difetti di isolamento, rotture o collegamenti allentati.▶ Estrarre il fusibile sul caricabatterie solare e controllare la tensione del pannello solare (VoC) sul caricabatterie solare.▶ Se non si riesce a trovare un errore, contattare il servizio di assistenza autorizzato.
	Caricabatterie solare difettoso.	<ul style="list-style-type: none">▶ Sostituire il caricabatterie solare.
L'impianto solare non funziona correttamente (bassa potenza in uscita).	Oggetti o sporcizia ostruiscono la luce.	<ul style="list-style-type: none">▶ Controllare che non vi siano ostruzioni e assicurarsi che i pannelli solari non siano coperti da ombre.▶ Spostare il veicolo in un luogo più adatto.▶ Rimuovere lo sporco.
	Surriscaldamento dei pannelli solari.	<ul style="list-style-type: none">▶ Lasciare raffreddare i pannelli solari.▶ Spostare il veicolo in un luogo più adatto.▶ Garantire che ci sia una circolazione d'aria sufficiente intorno ai pannelli solari.
	Un pannello solare nella schiera si è guastato.	<ul style="list-style-type: none">▶ Estrarre il fusibile sul caricabatterie solare e controllare la tensione del pannello solare (VoC) sul caricabatterie solare.▶ Controllare che i pannelli solari non presentino microfessure.▶ Controllare che il pannello solare non presenti delaminazioni.▶ Sostituire il pannello solare, se necessario.

Garanzia

Vale il termine di garanzia previsto dalla legge. Se il prodotto è difettoso, contattare il rivenditore di fiducia o la filiale del fabbricante nel proprio Paese (vedi dometic.com/dealer).

Per la gestione della riparazione e della garanzia è necessario inviare la seguente documentazione insieme al prodotto:

- Una copia della ricevuta con la data di acquisto,
- Il motivo della richiesta o la descrizione del guasto.

Tenere presente che le riparazioni eseguite in autonomia o da personale non professionista possono avere conseguenze sulla sicurezza e invalidare la garanzia.

Smaltimento

Riciclaggio del materiale da imballaggio



- Smaltire il materiale di imballaggio possibilmente negli appositi contenitori di riciclaggio.

Riciclaggio di prodotti con batterie non sostituibili, batterie ricaricabili o fonti di luce




- Se il prodotto contiene batterie non sostituibili, batterie ricaricabili o fonti di luce, non è necessario rimuoverle prima dello smaltimento.




- Per smaltire definitivamente il prodotto, informarsi presso il centro di riciclaggio più vicino o presso il proprio rivenditore specializzato sulle norme relative allo smaltimento.
- È possibile smaltire il prodotto gratuitamente.


Specifiche tecniche

Impianto solare

	MT 120 FL	MT 240-2 FL	MT 150 FL	MT 300-2 FL
Uscita nominale (Wp)	120	240	150	300
Produzione giornaliera (Wh/giorno)	480	960	660	1320
Dimensioni (L x P x H)	1120 x 540 x 19 mm	2 x MT 120 FL	1380 x 540 x 19 mm	2 x MT 150 FL
Pannello solare	MT SM 120 FL	2 x MT SM 120 FL	MT SM 150 FL	2 x MT SM 150 FL
Caricabatterie solare	MT 150 PP	MT 350 PP	MT MPP 170	MT MPP 440
Peso (senza cavi)	3,3 kg	6,3 kg	4,9 kg	9,5 kg
Ispezione/certificazione				

	MT 170 FLQ	MT 340-2 FLQ
Uscita nominale (Wp)	170	340
Produzione giornaliera (Wh/giorno)	750	1500
Dimensioni (L x P x H)	980 x 980 x 19 mm	2 x MT 170 FLQ
Pannello solare	MT SM 170 FLQ	2 x MT SM 170 FLQ
Caricabatterie solare	MT MPP 170	MT MPP 440
Peso (senza cavi)	5,2 kg	10,1 kg
Ispezione/certificazione		

Pannello solare

	MT SM 120 FL	MT SM 150 FL	MT SM 170 FLQ
N. art.	9620000138 (SM40120)	9620000259 (SM 40152)	9620000206 (SM 40170)
Uscita nominale (Wp)	120	150	170
Produzione giornaliera (Wh/giorno)	480	660	750
Tolleranza potenza	+/-10%	+/-10%	+/-10%
Corrente di cortocircuito (Isc)	6,4 A	6,4 A	7,2 A
Tensione di circuito aperto (VoC)	23,4 V	29,2 V	27,9 V
Numero di celle	32	40	42
Tipo di cella	Monocristallina		
Temperatura ambiente	-40 °C – +85 °C		
Umidità ambiente	≤ 85%		
Dimensioni (L x P x H)	1120 x 540 x 19 mm	1382 x 540 x 19 mm	980 x 980 x 19 mm
Peso	3,0 kg	4,6 kg	4,9 kg
Ispezione/certificazione			

Le specifiche sono ottenute nelle condizioni di prova standard di STC (STC: irradiazione 1000 W/m², temperatura del pannello 25 °C, AM 1,5).

Caricabatterie solare (MT 150 PP, MT 350 PP)



Per informazioni dettagliate sui dati tecnici del caricabatterie solare, consultare le istruzioni di montaggio e d'uso allegate oppure online all'indirizzo https://documents.dometic.com/?object_id=83055

Caricabatterie solare MPP (MT MPP 170, MT MPP 440)



Per informazioni dettagliate sui dati tecnici del caricabatterie solare, consultare le istruzioni di montaggio e d'uso allegate oppure online all'indirizzo https://documents.dometic.com/?object_id=83055

Lees deze gebruiksaanwijzing zorgvuldig door en volg alle instructies, richtlijnen en waarschuwingen in deze handleiding op om ervoor te zorgen dat u het product te allen tijde op de juiste manier installeert, gebruikt en onderhoudt. Deze gebruiksaanwijzing MOET bij dit product bewaard worden.

Door het product te gebruiken, bevestigt u hierbij dat u alle instructies, richtlijnen en waarschuwingen zorgvuldig hebt gelezen en dat u de voorwaarden zoals hierin beschreven begrijpt en accepteert. U gaat ermee akkoord dit product alleen te gebruiken voor het beoogde doel en de beoogde toepassing en in overeenstemming met de instructies, richtlijnen en waarschuwingen zoals beschreven in deze gebruiksaanwijzing en in overeenstemming met de geldende wet- en regelgeving. Het niet lezen en opvolgen van de hierin beschreven instructies en waarschuwingen kan leiden tot letsel voor uzelf en anderen, schade aan uw product of schade aan andere eigendommen in de omgeving. Deze gebruiksaanwijzing, met inbegrip van de instructies, richtlijnen en waarschuwingen, en de bijbehorende documentatie kan onderhevig zijn aan wijzigingen en updates. Actuele productinformatie vindt u op documents.dometic.com.



VOORZICHTIG!

Veiligheidsaanwijzing: duidt op een gevaarlijke situatie die, indien deze niet wordt voorkomen, kan leiden tot licht of matig letsel.



LET OP!

Duidt op een situatie die, indien deze niet wordt voorkomen, kan leiden tot materiële schade.



INSTRUCTIE

Aanvullende informatie voor het gebruik van het product.

Inhoudsopgave

Verklaring van de symbolen	46
Veiligheidsaanwijzingen	46
Omvang van de levering	48
Accessoires	49
Beoogd gebruik	49
Technische beschrijving	49
Het zonnestelsel monteren	49
Gebruik	50
Reiniging en onderhoud	51
Problemen oplossen	52
Garantie	53
Afvoer	53
Technische gegevens	54

Verklaring van de symbolen



GEVAAR!

Veiligheidsaanwijzing: duidt op een gevaarlijke situatie die, indien deze niet wordt voorkomen, leidt tot ernstig letsel of de dood.



WAARSCHUWING!

Veiligheidsaanwijzing: duidt op een gevaarlijke situatie die, indien deze niet wordt voorkomen, kan leiden tot ernstig letsel of de dood.

Veiligheidsaanwijzingen

Neem ook de veiligheidsaanwijzingen en voorschriften van de voertuigfabrikant en erkende werkplaatsen in acht.

Algemene veiligheid



WAARSCHUWING! Het niet in acht nemen van deze waarschuwingen leidt tot ernstig letsel of de dood.

Gevaar voor elektrische schokken

- Zonnepanelen genereren gelijkstroom en vormen een bron van elektriciteit wanneer ze worden blootgesteld aan zonlicht of andere lichtbronnen. Raak geen onder spanning staande onderdelen van het zonnepaneel aan, bijvoorbeeld de klemmen, omdat dit brandwonden, vonken en dodelijke elektrische schokken tot gevolg kan hebben, of de module nu is aangesloten of niet.
- Monteer het zonnestelsel niet wanneer de zonnepanelen zijn blootgesteld aan zonlicht of andere lichtbronnen. Dek alle zonnepanelen af met een ondoorzichtige doek of ondoorzichtig materiaal om te voorkomen dat er elektriciteit wordt opgewekt de montage of tijdens werkzaamheden aan de zonnepanelen of bedrading.
- Montage en demontage van het zonnestelsel mogen alleen worden uitgevoerd door bevoegd personeel.
- Gebruik het zonnestelsel niet als een onderdeel zichtbaar beschadigd is.

- Als de stroomkabel van het toestel beschadigd is, moet de stroomkabel, om gevaren te voorkomen, worden vervangen door de fabrikant, diens klantenservice of gelijkwaardig bevoegd personeel.
- Het zonnestelsysteem mag uitsluitend worden gerepareerd door bevoegd personeel. Ondeskundige reparaties kunnen leiden tot aanzienlijke gevaren.
- Als u het toestel demonteert:
 - Maak alle aansluitingen los.
 - Zorg ervoor dat alle in- en uitgangen spanningsvrij zijn.
- Gebruik uitsluitend door de fabrikant aanbevolen accessoires.
- Bewerk de componenten niet zelf en maak geen aanpassingen.

Gevaar voor letsel

- Wanneer de zonnepanelen worden blootgesteld aan direct zonlicht kunnen ze opwarmen tot een temperatuur van 70 °C. Raak het oppervlak van de zonnepanelen niet aan om brandwonden te voorkomen.

Gevaar voor de gezondheid

- Dit toestel mag worden gebruikt door kinderen vanaf 8 jaar en ouder evenals door personen met verminderd fysiek, zintuiglijk of mentaal vermogen of gebrek aan kennis en ervaring, mits zij onder toezicht staan of zijn geïnstrueerd in het veilig gebruik van het toestel en zij inzicht hebben in de gevaren die het gebruik van het toestel met zich meebrengt.
- **Elektrische toestellen zijn geen speelgoed.**
Houd en gebruik het toestel buiten het bereik van zeer jonge kinderen.
- Kinderen moeten onder toezicht staan om te garanderen dat ze niet met het toestel spelen.
- Reiniging en gebruikersonderhoud mogen niet door kinderen zonder toezicht worden uitgevoerd.



LET OP! Gevaar voor schade

- Let erop dat andere voorwerpen **geen** kortsluiting bij de contacten van het toestel veroorzaken.
- Let op dat de negatieve en positieve polen **nooit** in contact komen.
- Ga niet op de zonnepanelen staan en leun er niet tegen.

- Plaats geen zware last op het glas of de achterplaat van de zonnepanelen, omdat de cellen hierdoor kunnen breken of er hierdoor microscheuren kunnen ontstaan.
- Bewaar het zonnestelsysteem op een veilige plek voordat u het monteert en nadat u het demonteert. Bescherm de zonnepanelen tegen omkantelen of vallen.

Het toestel veilig monteren



GEVAAR! Het niet in acht nemen van deze waarschuwingen leidt tot ernstig letsel of de dood.

Explosiegevaar

- Monteer het toestel niet op plaatsen waar gevaar voor gas- of stofexplosie bestaat.



WAARSCHUWING! Het niet in acht nemen van deze waarschuwingen kan leiden tot ernstig letsel of de dood.

Gevaar voor letsel

- Als u het zonnestelsysteem op een dak monteert:
 - Voer de installatie en montage niet uit bij harde wind.
 - Bescherm uzelf en andere personen tegen vallen.
 - Voorkom dat voorwerpen kunnen vallen.
 - Beveilig de werkplek zodanig dat niemand anders gewond kan raken.



LET OP! Gevaar voor schade

- Onjuist gemonteerde zonnepanelen kunnen losraken en naar beneden vallen. Gebruik geen siliconenkit of andere lijm dan de bijgeleverde lijm om een optimale hechting te garanderen.

Veiligheid bij de elektrische aansluiting van het toestel



WAARSCHUWING! Het niet in acht nemen van deze waarschuwingen kan leiden tot ernstig letsel of de dood.

Gevaar voor elektrische schokken

- De elektrische installatie mag uitsluitend worden aangesloten door bevoegd personeel conform de nationale voorschriften. Onjuiste aansluiting kan ernstige gevaren veroorzaken.

- Als u aan elektrische installaties werkt, zorg er dan voor dat er iemand in de buurt is die u in geval van nood kan helpen.
- Neem de aanbevolen kabeldoorsneden in acht.
- Leg de kabels zodanig dat deze niet beschadigd kunnen raken door de deuren of de motorkap. Geplette kabels kunnen tot levensgevaarlijke verwondingen leiden.



LET OP! Gevaar voor schade

- Overschrijd de nominale stroom- en spanningswaarden van de oplader voor zonne-energie niet. Installeer zonnepanelen slechts tot het maximale vermogen van de gebruikte oplader voor zonne-energie. Als uw zonnestelsel deze waarden overschrijdt, neem dan contact op met uw dealer voor een geschikte oplader voor zonne-energie.
- Gebruik holle buizen of leidingdoorvoeren, als leidingen door plaatwanden of andere wanden met scherpe randen geleid moeten worden.
- Plaats het 230V-netsnoer en de 12V-gelijkstroomleiding **niet** samen in dezelfde kabelgoot.
- Leg de leidingen **niet** los of scherp geknikt.
- Bevestig de kabels op een veilige wijze.
- Trek niet aan de kabels.



VOORZICHTIG! Het niet in acht nemen van deze waarschuwingen kan leiden tot licht of matig letsel.

Explosiegevaar

- Gebruik het toestel **niet** op de volgende omstandigheden:
 - In de buurt van agressieve dampen
 - In de buurt van brandbare materialen
 - In zones waar explosiegevaar heerst



LET OP! Gevaar voor schade

- Vermijd zware schokken en trillingen tijdens het rijden.

Omvang van de levering

Nr. in afb. 1, pagina 3	Aanduiding	Aantal
1	Zonnepaneel (MT 120 FL, MT 150 FL, MT 170 FLQ)	1
1	Zonnepaneel (MT 240-2 FL, MT 300-2 FL, MT 340-2 FLQ)	2
2	Dakkanaal	1
3	Oplader voor zonne-energie	1
4	Lijmkit	1
5	Binnenkabel (2 x 4 mm ²)	1
6	Temperatuursensor	1
7	Kabelconnector	2
8	EBL-kabelset	1
–	Montagehandleiding en gebruiksaanwijzing voor de oplader voor zonne-energie	1

Veiligheid bij het gebruik van het toestel



GEVAAR! Het niet in acht nemen van deze waarschuwingen leidt tot ernstig letsel of de dood.

Gevaar voor elektrische schokken

- Raak blanke leidingen nooit met blote handen aan.



WAARSCHUWING! Het niet in acht nemen van deze waarschuwingen kan leiden tot ernstig letsel of de dood.

Gevaar voor letsel

- Controleer voor elke reis en regelmatig gedurende de reis of de zonnepanelen stevig aan het dak zijn bevestigd. Een onjuist gemonteerd zonnepaneel kan tijdens het rijden van het dak vallen en andere weggebruikers verwonden.

Accessoires

Verkrijgbaar als accessoires (niet bij de levering inbegrepen):

Beschrijving	SKU
MT iQ Solar Monitor LED I	9620000230 (MT 71242)
MT iQ Solar Monitor LCD III	9620000328 (MT 01250)
MT iQ SolarPRO	9620000309 (MT 01240)

Beoogd gebruik

Het zonnestelsysteem is bedoeld om zonlicht om te zetten in gelijkstroom (DC) om oplaadbare 12V-accu's in voertuigen of boten tijdens het rijden op te laden of deze te voeden met een druppellaadspanning voor energieopwekking. Het accu-vermogen kan ook worden gebruikt als een stabiele stroomvoorziening voor apparatuur die op gelijkstroom werkt en die is aangesloten op de accu.

Het zonnestelsysteem is geschikt voor:

- Montage op caravans en campers
- Stationair of mobiel gebruik
- Extreme gebruiksomstandigheden (gebruik tijdens expedities)
- Windsnelheden tot 225 km/h

Het zonnestelsysteem is **niet** geschikt voor:

- Werking op netspanning
- Draagbare toepassingen

De uitgangspanning van aangesloten zonnepanelen mag niet hoger zijn dan de maximale uitgangspanning die in de technische gegevens wordt vermeld.

Dit product is alleen geschikt voor het beoogde gebruik en de toepassing in overeenstemming met deze gebruiksaanwijzing.

Deze handleiding geeft informatie die nodig is voor een correcte installatie en/of correct gebruik van het product. Een slechte installatie en/of onjuist gebruik of onderhoud leidt tot onbevredigende prestaties en mogelijke storingen.

De fabrikant aanvaardt geen aansprakelijkheid voor letsel of schade aan het product als gevolg van:

- Onjuiste montage of aansluiting, inclusief te hoge spanning
- Onjuist onderhoud of gebruik van andere dan door de fabrikant geleverde originele reserveonderdelen
- Wijzigingen aan het product zonder uitdrukkelijke toestemming van de fabrikant
- Gebruik voor andere doeleinden dan beschreven in deze handleiding

Dometic behoudt zich het recht voor om het uiterlijk en de specificaties van het product te wijzigen.

Technische beschrijving

De zonnepanelen zijn extra plat en worden direct op het dak van de auto gelijmd. De zonnepanelen kunnen worden aangebracht op licht gebogen dakoppervlakken en er kan op worden gelopen. Het zonnestelsysteem kan worden uitgebreid met andere zonnepanelen van dezelfde vermogensklasse.

De oplader voor zonne-energie wordt tussen de zonnepanelen en de accu aangesloten om de juiste laadstroom van de accu te garanderen en de accu te beschermen tegen overspanning en diepontlading.

Het zonnestelsysteem monteren



WAARSCHUWING! Gevaar voor elektrische schokken

Dek alle zonnepanelen tijdens de montage volledig af met ondoorzichtig materiaal om te voorkomen dat er elektriciteit wordt opgewekt.

Montageplaats

Houd bij de keuze van de montageplaats rekening met het volgende:

- Het montageoppervlak moet vlak zijn en stevig genoeg om het zonnepaneel te dragen.
- Zorg ervoor dat het beoogde montageoppervlak groot genoeg is.

- Zorg ervoor dat er voldoende ruimte is voor toegang tot de zonnepanelen en andere vaste onderdelen voor toekomstig onderhoud.
- Zorg ervoor dat de bestaande ventilatieopeningen op het voertuig niet worden geblokkeerd.
- Schaduw kan de prestaties van het zonnestelsel verminderen. Zorg ervoor dat vaste onderdelen, zoals airconditioners of geopende satellietantennes, geen schaduw op de zonnepanelen werpen.
- Kies een plek met direct zonlicht voor optimale prestaties.
- Plaats meerdere zonnepanelen zo dicht mogelijk bij elkaar.
- Lijm de zonnepanelen of dakkanalen niet op rubberen oppervlakken (bijv. planken aan de buitenkant), omdat de hechting van de lijm dan niet gegarandeerd is.

De montage voorbereiden

- Markeer en prepareer de lijmoppervlakken, zie afb. **4**, pagina 4 t/m afb. **7**, pagina 4.

Het zonnestelsel monteren



WAARSCHUWING! Gevaar voor letsel

Gebruik geen siliconenkit of andere lijm dan de bijgeleverde lijm.

- Ga te werk zoals afgebeeld in afb. **8**, pagina 5 t/m afb. **16**, pagina 6 om het zonnestelsel te monteren.

Buiten kabel en binnenkabel aansluiten (afb. **17**, pagina 6)



INSTRUCTIE

De kabellengte moet zo kort mogelijk zijn.

- Strip de kabeluiteinden als volgt:
 - Buiten kabel 11 mm (2,5 mm²)
 - Binnen kabel 11 mm (4 mm²)
- Verbind de buitenkabel op een geschikt punt met binnenkabel met behulp van de kabelconnector (**1**).

De oplader voor zonne-energie aansluiten (MT 150 PP, MT 350 PP)



Informatie over het installeren van de oplader voor zonne-energie vindt u in de bijgevoegde montagehandleiding en gebruiksaanwijzing of online op https://documents.dometic.com/?object_id=83055



Neem ook de instructies en veiligheidsmaatregelen voor alle andere componenten van het zonnestelsel in acht.

De MPP-oplader voor zonne-energie aansluiten (MT MPP 170, MT MPP 440)



Informatie over het installeren van de oplader voor zonne-energie vindt u in de bijgevoegde montagehandleiding en gebruiksaanwijzing of online op https://documents.dometic.com/?object_id=83056



Neem ook de instructies en veiligheidsmaatregelen voor alle andere componenten van het zonnestelsel in acht.

Gebruik

Let voor een optimaal gebruik van het zonnestelsel op het volgende:

- Het zonnestelsel genereert verschillende hoeveelheden elektriciteit afhankelijk van de hoeveelheid zonlicht gedurende de dag. Hoe meer zonlicht op het zonnestelsel valt, hoe meer elektriciteit er wordt opgewekt. De hoeveelheid opgewekte elektriciteit wordt beïnvloed door de volgende omstandigheden:
 - Bewolkt weer
 - Seizoensgebonden zonnestraling
 - Variaties in de hoek van de zon
 - Schaduw of vervuiling van het zonnestelsel
- De prestaties van het zonnestelsel nemen af naarmate de zonnepanelen warmer worden. Zorg voor voldoende ventilatie en voorkom overmatige zonnestraling.

Reiniging en onderhoud



WAARSCHUWING! Gevaar voor elektrische schokken

Gebroken glas van het zonnepaneel kan elektrische schokken of brand veroorzaken. Deze panelen kunnen niet worden gerepareerd en moeten onmiddellijk worden vervangen. Neem contact op met een geautoriseerde klantenservice.



VOORZICHTIG! Gevaar voor letsel

Laat het zonnepaneel afkoelen alvorens het te reinigen om brandwonden of schade aan het zonnepaneel als gevolg van overmatige temperatuurverschillen te voorkomen. Reinig de zonnepanelen vroeg in de ochtend of laat in de middag wanneer de zon laag staat en de zonnepanelen koeler zijn.



LET OP! Gevaar voor schade

- Reinig het zonnestelsel niet met een hogedrukreiniger.
- Gebruik geen scherpe of harde voorwerpen, schurende reinigingsmiddelen of bleekmiddel bij het reinigen. Daardoor kan het toestel beschadigd raken.

- ▶ Controleer onder spanning staande kabels regelmatig op beschadigde isolatie, kabelbreuk, schade door knaagdieren, slijtage en controleer of alle aansluitingen goed vastzitten en vrij van corrosie zijn.
- ▶ Controleer het oppervlak van de zonnepanelen regelmatig op barsten en ontbrekende of defecte componenten.
- ▶ Houd het zonnepaneel voor optimale prestaties vrij van vuil en schaduw, bijvoorbeeld stof en bladeren. Reinig de zonnepanelen met een zachte, vochtige doek of spons.
- ▶ Controleer af en toe de afdichting van het daknaal op beschadiging.

Problemen oplossen

Fout	Mogelijke oorzaak	Voorgestelde oplossing
Het zonnestelsel werkt niet (geen uitgangsvermogen).	Beschadigde isolatie, kabelbreuk of losse contacten van onder spanning staande kabels.	<ul style="list-style-type: none">▶ Controleer onder spanning staande kabels op beschadigde isolatie, kabelbreuk of losse contacten.▶ Trek de zekering van de oplader voor zonne-energie eruit en controleer de spanning van het zonnepaneel (VoC) op de oplader voor zonne-energie.▶ Neem contact op met een erkende klantenservice als u geen fout kunt vinden.
	Defecte oplader voor zonne-energie.	<ul style="list-style-type: none">▶ Vervang de oplader voor zonne-energie.
Het zonnestelsel werkt niet correct (laag uitgangsvermogen).	Objecten of vuil blokkeren licht.	<ul style="list-style-type: none">▶ Controleer op obstakels en zorg ervoor dat de zonnepanelen niet worden geblokkeerd door schaduwen.▶ Verplaats het voertuig naar een geschiktere plaats.▶ Verwijder vuil.
	Oververhitting van de zonnepanelen.	<ul style="list-style-type: none">▶ Laat de zonnepanelen afkoelen.▶ Verplaats het voertuig naar een geschiktere plaats.▶ Zorg voor voldoende luchtcirculatie rond de zonnepanelen.
	Een zonnepaneel in de reeks is defect.	<ul style="list-style-type: none">▶ Trek de zekering van de oplader voor zonne-energie eruit en controleer de spanning van het zonnepaneel (VoC) op de oplader voor zonne-energie.▶ Controleer de zonnepanelen op microscheuren.▶ Controleer het zonnepaneel op loslatend laminaat.▶ Vervang het zonnepaneel indien nodig.

Garantie

De wettelijke garantieperiode is van toepassing. Als het product defect is, neem dan contact op met de detailhandel of met het filiaal van de fabrikant in uw land (zie dometic.com/dealer).

Stuur voor de afhandeling van reparaties of garantie de volgende documenten mee:

- Een kopie van de factuur met datum van aankoop
- De reden voor de claim of een beschrijving van de fout

Houd er rekening mee dat eigenmachtige of niet-professionele reparatie gevolgen voor de veiligheid kan hebben en dat de garantie hierdoor kan komen te vervallen.

Afvoer

Verpakkingsmateriaal recycleren



- ▶ Gooi het verpakkingsmateriaal indien mogelijk altijd in recyclingafvalbakken.

Producten met niet-vervangbare batterijen, oplaadbare batterijen of lichtbronnen recycleren




- ▶ Als het product niet-vervangbare batterijen, oplaadbare batterijen of lichtbronnen bevat, hoeft u die niet te verwijderen voordat u het product afvoert.




- ▶ Als u het product definitief weg wilt doen, vraag dan bij het dichtstbijzijnde afvalverwerkingsbedrijf of uw dealer naar de betreffende afvoervoorschriften.
- ▶ Het product kan gratis worden afgevoerd.


Technische gegevens

Zonnesysteem

	MT 120 FL	MT 240-2 FL	MT 150 FL	MT 300-2 FL
Nominaal vermogen (Wp)	120	240	150	300
Dagelijkse opbrengst (Wh/dag)	480	960	660	1320
Afmetingen (b x d x h)	1120 x 540 x 19 mm	2 x MT 120 FL	1380 x 540 x 19 mm	2 x MT 150 FL
Zonnepaneel	MT SM 120 FL	2 x MT SM 120 FL	MT SM 150 FL	2 x MT SM 150 FL
Oplader voor zonne-energie	MT 150 PP	MT 350 PP	MT MPP 170	MT MPP 440
Gewicht (zonder kabels)	3,3 kg	6,3 kg	4,9 kg	9,5 kg
Inspectie/certificering				

	MT 170 FLQ	MT 340-2 FLQ
Nominaal vermogen (Wp)	170	340
Dagelijkse opbrengst (Wh/dag)	750	1500
Afmetingen (b x d x h)	980 x 980 x 19 mm	2 x MT 170 FLQ
Zonnepaneel	MT SM 170 FLQ	2 x MT SM 170 FLQ
Oplader voor zonne-energie	MT MPP 170	MT MPP 440
Gewicht (zonder kabels)	5,2 kg	10,1 kg
Inspectie/certificering		

Zonnepaneel

	MT SM 120 FL	MT SM 150 FL	MT SM 170 FLQ
Artikelnr.	9620000138 (SM40120)	9620000259 (SM 40152)	9620000206 (SM 40170)
Nominaal vermogen (Wp)	120	150	170
Dagelijkse opbrengst (Wh/dag)	480	660	750
Vermogenstolerantie	+/- 10%	+/- 10%	+/- 10%
Kortsluitstroom (Isc)	6,4 A	6,4 A	7,2 A
Nullastspanning (VoC)	23,4 V	29,2 V	27,9 V
Aantal cellen	32	40	42
Celtype	Monokristallijn		
Omgevingstemperatuur	-40 °C tot +85 °C		
Omgevingsvochtigheid	≤ 85%		
Afmetingen (b x d x h)	1120 x 540 x 19 mm	1382 x 540 x 19 mm	980 x 980 x 19 mm
Gewicht	3,0 kg	4,6 kg	4,9 kg
Inspectie/certificering			

De specificaties zijn verkregen onder de standaard testomstandigheden van STC (STC: stralingssterkte 1000 W/m², paneeltemperatuur 25 °C, AM 1,5).

Oplader voor zonne-energie (MT 150 PP, MT 350 PP)



Gedetailleerde informatie over de technische gegevens van de oplader voor zonne-energie vindt u in de bijgevoegde montagehandleiding en gebruiksaanwijzing of online op https://documents.dometic.com/?object_id=83055

MPP oplader voor zonne-energie (MT MPP 170, MT MPP 440)



Gedetailleerde informatie over de technische gegevens van de oplader voor zonne-energie vindt u in de bijgevoegde montagehandleiding en gebruiksaanwijzing of online op https://documents.dometic.com/?object_id=83055

DA

Læs og følg alle disse anvisninger, retningslinjer og advarsler i denne produktvejledning grundigt for at sikre, at du altid installerer, bruger og vedligeholder produktet korrekt. Disse anvisninger SKAL opbevares sammen med dette produkt.

Ved at benytte produktet bekræfter du hermed, at du har læst alle anvisninger, retningslinjer og advarsler grundigt, og at du forstår og er indforstået med de vilkår og betingelser, der er fastlagt heri. Du er indforstået med kun at bruge dette produkt til det beregnede formål og anvendelse i overensstemmelse med anvisningerne, retningslinjerne og advarslerne i denne produktvejledning samt i overensstemmelse med alle de gældende love og forskrifter. Manglende læsning og ignorering af disse anvisninger og advarsler kan medføre kvæstelser på dig selv og andre, skade på dit produkt eller skade på anden ejendom i nærheden. Der tages forbehold for eventuelle ændringer og opdateringer af denne produktvejledning samt anvisningerne, retningslinjerne og advarslerne samt den tilhørende dokumentation. Se documents.dometic.com for de nyeste produktinformationer.

Indhold

Forklaring af symboler	56
Sikkerhedshenvisninger	56
Leveringsomfang	58
Tilbehør	58
Korrekt brug	59
Teknisk beskrivelse	59
Installation af solcellesystemet	59
Betjening	60
Rengøring og vedligeholdelse	60
Udbedring af fejl	61
Garanti	62
Bortskaffelse	62
Tekniske data	63

Forklaring af symboler



FARE!

Sikkerhedshenvisning: Angiver en farlig situation, som medfører dødsfald eller alvorlig kvæstelse, såfremt den ikke undgås.



ADVARSEL!

Sikkerhedshenvisning: Angiver en farlig situation, som kan medføre dødsfald eller alvorlig kvæstelse, såfremt den ikke undgås.



FORSIGTIG!

Sikkerhedshenvisning: Angiver en farlig situation, som kan medføre mindre eller lette kvæstelser, såfremt den ikke undgås.



VIGTIGT!

Angiver en situation, som kan medføre materielle skader, såfremt den ikke undgås.



BEMÆRK

Supplerende oplysninger om betjening af produktet.

Sikkerhedshenvisninger

Overhold også sikkerhedshenvisningerne og bestemmelser, der er udstedt af køretøjsproducenten og autoriserede værksteder.

Grundlæggende sikkerhed



ADVARSEL! Manglende overholdelse af disse advarsler medfører dødelige eller alvorlige kvæstelser.

Fare for elektrisk stød

- Solpaneler genererer jævnstrøm og er elektricitetskilder, når de udsættes for sollys eller andre lyskilder. Du må ikke berøre spændingsførende dele på solpanelet, som f.eks. klemmerne, da det kan medføre forbrændinger, gnister og dødeligt elektrisk stød uanset, om modulet er tilsluttet eller afbrudt.
- Du må ikke installere solcellesystemet, når solpanelerne udsættes for sollys eller andre lyskilder. Dæk alle solpaneler til med et opakt klæde eller materiale for at undgå, at der produceres elektricitet, når solpanelernes installeres eller der arbejdes på dem.
- Solcellesystemet må kun installeres og fjernes af fagfolk.
- Solcellesystemet må ikke anvendes, hvis en komponent er synlig beskadiget.
- Hvis dette apparats strømkabel er beskadiget, skal det udskiftes af producenten, en servicerepræsentant eller en tilsvarende uddannet person for at forhindre farer.
- Solcellesystemet må kun repareres af fagfolk. Ukorrekte reparationer kan medføre betydelige farer.

- Hvis du afmonterer apparatet:
 - Løsn alle forbindelser.
 - Kontrollér, at der ikke findes spænding på nogen af ind- og udgangene.
- Anvend kun tilbehør, der anbefales af producenten.
- Ingen af komponenterne må på nogen måde ændres eller tilpasses.

Fare for kvæstelser

- Solpanelet kan blive op til 70 °C varmt, når det udsættes for direkte sollys. Undgå at berøre solpanelets overflade, så du ikke får forbrændinger.

Sundhedsfare

- Dette apparat kan anvendes af børn over 8 år og personer med reducerede fysiske, sans- eller mentale evner eller uden erfaring eller viden, hvis de er under opsyn eller er blevet instrueret i sikker brug af apparatet og forstår de involverede farer.
- **EI-apparater er ikke legetøj!**
Opbevar og anvend apparatet uden for meget små meget unge børns rækkevidde.
- Der skal holdes øje med børn for at sikre, at de ikke leger med apparatet.
- Rengøring og vedligeholdelse må ikke udføres af børn uden opsyn.



VIGTIGT! Fare for beskadigelse

- Sørg for, at andre genstande **ikke kan** forårsage en kortslutning på apparatets kontakter.
- Kontrollér, at de negative og positive poler **aldrig** kommer i kontakt med hinanden.
- Du må ikke træde på eller læne dig mod solpanelerne.
- Udsæt ikke solpanelernes glas eller bagpanel for kraftig belastning, da dette kan ødelægge celler eller forårsage mikrorevner.
- Opbevar solcellesystemet et sikkert sted, før monteringen eller efter afmonteringen. Beskyt solpanelerne mod at vælte eller falde ned.

Sikker installering af apparatet



FARE! Manglende overholdelse af disse advarsler medfører dødelige eller alvorlige kvæstelser.

Eksplisionsfare

- Montér aldrig apparatet i områder, hvor der er fare for en gas- eller støvekspllosion.



ADVARSEL! Manglende overholdelse af disse advarsler kan medføre dødelige eller alvorlige kvæstelser.

Fare for kvæstelser

- Hvis du installerer solcellesystemet på et tag:
 - Du må ikke foretage installationen og monteringen i kraftig vind.
 - Beskyt dig selv og andre personer mod at falde ned.
 - Forebyg, at eventuelle genstande falder ned.
 - Sørg for at sikre arbejdsområdet, så ingen personer kan komme til skade.



VIGTIGT! Fare for beskadigelse

- Ukorrekt monterede solpaneler kan blive løse og falde ned. Du må ikke bruge silikone eller andre klæbemidler end det, der medfølger, med henblik på at sikre optimal klæbeevne.

Sikkerhed under elektrisk tilslutning af apparatet



ADVARSEL! Manglende overholdelse af disse advarsler kan medføre dødelige eller alvorlige kvæstelser.

Fare for elektrisk stød

- Den elektriske installation må kun tilsluttes af fagfolk i henhold til de nationale forskrifter. Ved ukorrekt tilslutning kan der opstå betydelige farer.
- Når der arbejdes på elektriske anlæg, skal det kontrolleres, at der er nogen i nærheden, som kan hjælpe i et nødstilfælde.
- Overhold de anbefalede kabeltværnsnit.
- Før kablerne, så de ikke kan blive beskadiget af døre eller hjelmen.
Klemte ledninger kan føre til livsfarlige kvæstelser.



VIGTIGT! Fare for beskadigelse

- Du må ikke overskride mærkestrømmen og -spændingen for solcelleladeren. Installér kun solpaneler op til den anvendte solcelleladers mærkeeffekt. Hvis dit solcellesystem overskrider disse mærkeværdier, skal du kontakte din forhandler med henblik på en egnet solcellelader.
- Anvend tomme rør eller ledningsgennemføringer, når ledninger skal føres gennem pladevægge eller andre vægge med skarpe kanter.

Leveringsomfang

Position på fig. 1, side 3	Betegnelse	Antal
1	Solpanel (MT 120 FL, MT 150 FL, MT 170 FLQ)	1
1	Solpanel (MT 240-2 FL, MT 300-2 FL, MT 340-2 FLQ)	2
2	Tagkanal	1
3	Solcellelader	1
4	Klæbesæt	1
5	Indendørs kabel (2 x 4 mm ²)	1
6	Temperaturføler	1
7	Kabeltilslutning	2
8	EBL-kabelsæt	1
-	Monterings- og betjeningsvejledning til solcelleladeren	1

Tilbehør

Kan fås som tilbehør (ikke indeholdt i leveringsomfanget):

Beskrivelse	SKU
MT iQ Solar Monitor LED I	9620000230 (MT 71242)
MT iQ Solar Monitor LCD III	9620000328 (MT 01250)
MT iQ SolarPRO	9620000309 (MT 01240)

- Træk **ikke** 230 V-netledningen og 12 V-jævnstrømsledningen sammen i den samme ledningskanal (tomme rør).
- Træk **ikke** ledningerne løst eller med skarpe knæk.
- Fastgør kablerne sikkert.
- Træk ikke i kablerne.

Sikkerhed under anvendelse af apparatet



FARE! Manglende overholdelse af disse advarsler medfører dødelige eller alvorlige kvæstelser.

Fare for elektrisk stød

- Tag aldrig fat i uisolerede ledninger med bare hænder.



ADVARSEL! Manglende overholdelse af disse advarsler kan medføre dødelige eller alvorlige kvæstelser.

Fare for kvæstelser

- Kontrollér, om solpanelerne sidder sikkert fast på taget før hver køretur og regelmæssigt under hver tur. Et ukorrekt monteret solpanel kan falde ned under turen og kvæste andre trafikanter.



FORSIGTIG! Manglende overholdelse af disse forsigtighedshenvisninger kan medføre mindre eller moderate kvæstelser.

Eksplodingsfare

- Du må **ikke** anvende apparatet under følgende betingelser:
 - I nærheden af aggressive dampe
 - I nærheden af brændbare materialer
 - I områder med eksplosionsfare



VIGTIGT! Fare for beskadigelse

- Undgå kraftige rystelser og vibrationer under kørslen.

Korrekt brug

Solcellesystemet er beregnet til at omforme sollys til jævnstrøm (DC) til at oplade genopladelige 12 V-batterier i køretøjer eller både under kørsel/sejlads eller forsyne dem med en vedligeholdelsesspænding med henblik på effektgenerering. Batteriefekten kan desuden anvendes som en stabil effektforsyning til at anvende DC-forsynde apparater, der er tilsluttet batteriet.

Solcellesystemet er egnet til:

- Installation på campingvogne og autocampere
- Stationær eller mobil brug
- Ekstreme driftsbetingelser (ekspeditionsbrug)
- Vindhastigheder op til 225 km/h

Solcellesystemer er **ikke** egnet til:

- Netdrift
- Bærbare anvendelser

Energjudgangseffekten for de tilsluttede solpaneler må ikke overskride den maksimale udgangseffekt, der er oplyst i de tekniske data.

Dette produkt er kun egnet til dets beregnede formål og anvendelse i overensstemmelse med disse anvisninger.

Denne vejledning giver dig oplysninger om, hvad der er nødvendigt med henblik på en korrekt montering og/eller drift af produktet. Dårlig montering og/eller ukorrekt drift eller vedligeholdelse medfører utilstrækkelig ydeevne og mulige fejl.

Producenten påtager sig intet ansvar for kvæstelser eller skader i forbindelse med produktet, der skyldes:

- Ukorrekt samling eller forbindelse inklusive for høj spænding
- Ukorrekt vedligeholdelse eller brug af uoriginale reservedele, der ikke stammer fra producenten
- Ændringer på produktet uden udtrykkelig tilladelse fra producenten
- Brug til andre formål end dem, der er beskrevet i vejledningen

Dometic forbeholder sig ret til at ændre produktets udseende og produktspecifikationer.

Teknisk beskrivelse

Solpanelerne er særligt flade og limet direkte på køretøjets tag. Solpanelerne kan sættes på tagoverflader med en lille hældning, og de kan betrækkes.

Solcellesystemet kan udvides med flere solpaneler med samme effekt.

Solcelleladeren er tilsluttet mellem solpanelerne og batteriet for at sikre den korrekte ladestrøm for batterierne og for at beskytte batterierne mod spænding og dybafledning.

Installation af solcellesystemet



ADVARSEL! Fare for elektrisk stød

Dæk alle solpaneler helt med et opakt materiale under installationen for at undgå, at der genereres elektricitet.

Installationssted

Vær opmærksom på følgende, når du vælger installationsstedet:

- Monteringsoverfladen skal være lige og stabil nok til at holde solpanelet.
- Kontrollér, at den pågældende monteringsflade har tilstrækkelig dimensionering.
- Kontrollér, at der er plads nok til at få adgang til solpanelerne eller andre fastgjorte komponenter i forbindelse med fremtidig vedligeholdelse.
- Sørg for ikke at blokere eksisterende ventilationsåbninger på køretøjet.
- Skygge kan nedsætte solcellesystemets ydeevne. Kontrollér, at fastgjorte komponenter, som klimaanlæg eller åbnede satellitantenner ikke skygger for solpanelerne.
- Vælg et sted med direkte sollys for optimal ydeevne.
- Anbring flere solpaneler så tæt på hinanden som muligt.
- Du må ikke lime solpanelerne eller tagkanalerne på gummierede overflader (f.eks. udvendige lister), da det ikke kan garanteres, at limen klæber sikkert nok på disse.

Forberedelse af installationen

- Markér og forbered limningen af overfladerne, se fig. **4**, side 4 til fig. **7**, side 4.

Montering af solcellesystemet



ADVARSEL! Fare for kvæstelser

Du må ikke bruge silikone eller andre klæbemidler end det, der medfølger.

- Montér solcellesystemet, fortsæt som vist i fig. **8**, side 5 til fig. **16**, side 6.

Tilslutning af udendørs kablet og indendørs kablet (fig. **17**, side 6)



BEMÆRK

Kabellængden bør være så kort som mulig.

1. Afisolér kabelenderne på følgende måde:
 - Udendørs kabel 11 mm (2,5 mm²)
 - Indendørs kabel 11 mm (4 mm²)
2. Tilslut udendørs kablet til indendørs kablet på et egnet punkt vha. kabeltilslutningen (1).

Tilslutning af solcelleladeren (MT 150 PP, MT 350 PP)



Du kan finde flere oplysninger om installationen af solcelleladeren i den medfølgende monterings- og betjeningsvejledning eller online på https://documents.dometic.com/?object_id=83055



Følg også anvisningerne og sikkerhedsforanstaltningerne for alle andre komponenter, der anvendes i solcellesystemet.

Tilslutning af MPP-solcelleladeren (MT MPP 170, MT MPP 440)



Du kan finde flere oplysninger om installationen af solcelleladeren i den medfølgende monterings- og betjeningsvejledning eller online på https://documents.dometic.com/?object_id=83056



Følg også anvisningerne og sikkerhedsforanstaltningerne for alle andre komponenter, der anvendes i solcellesystemet.

Betjening

Vær opmærksom på følgende med henblik på optimal brug af solcellesystemet:

- Solcellesystemet genererer forskellige mængder elektricitet afhængigt af mængden af sollys om dagen. Jo mere sollys, der rammer solcellesystemet, desto mere elektricitet genereres. Mængden af den genererede elektricitet påvirkes af følgende faktorer:
 - Skyet vejr
 - Solstråling afhængigt af årstiden
 - Variationer i indfaldsvinklen for sollyset
 - Skygge på eller tilsmudsning af solcellesystemet
- Solcellesystemets ydeevne falder i takt med, at solpanelerne bliver varme. Sørg for tilstrækkelig ventilation, og undgå meget kraftig solstråling.

Rengøring og vedligeholdelse



ADVARSEL! Fare for elektrisk stød

Hvis solpanelglasset er øjelagt, er der fare for elektrisk stød eller brand. Disse paneler kan ikke repareres og skal udskiftes med det samme. Kontakt en autoriseret servicerepræsentant.



FORSIGTIG! Fare for kvæstelser

Lad solpanelet køle af, før det rengøres, så du undgår forbrændinger eller skader på solpanelet som følge af de meget høje temperaturforskelle. Rengør solpaneler tidligt om morgenen eller sent om eftermiddagen, når der er lavt sollys, og solpanelerne er koldere.



VIGTIGT! Fare for beskadigelse

- Du må ikke rengøre solcellesystemet med en højtryksrenser.
- Anvend ikke skarpe eller hårde genstande, skurende rengøringsmidler eller blegemiddel ved rengøringen, da de kan beskadige apparatet.

- ▶ Kontrollér regelmæssigt spændingsførende kabler for isoleringsfejl, brud, gnaverbid, forvitring, og om alle tilslutninger er spændte og uden korrosion.
- ▶ Kontrollér regelmæssigt solpanelernes overflade for revner og manglende eller defekte komponenter.
- ▶ Hold solpanelet fri for tilsmudsning og skygge, f.eks. støv og blade, for at opnå en maksimal ydeevne. Rengør solpanelerne med en blød, fugtig klud eller svamp.
- ▶ Kontrollér af og til tætningen til tagkanalen for skader.

Udbedring af fejl

Fejl	Mulig årsag	Løsningsforslag
Solcellesystemet fungerer ikke (ingen effektudgang).	Isoleringsfejl, brud eller løse forbindelser på de spændingsførende kabler.	<ul style="list-style-type: none"> ▶ Kontrollér spændingsførende kabler med henblik på isoleringsfejl, brud eller løse forbindelser. ▶ Træk sikringen ud af solcelleladeren, og kontrollér solpanelspændingen (VoC) på solcelleladeren. ▶ Hvis du ikke kan finde fejlen, så kontakt en autoriseret servicerepræsentant.
	Defekt solcellelader.	<ul style="list-style-type: none"> ▶ Udskift solcelleladeren.
Solcellesystemet fungerer ikke korrekt (lav effektudgang).	Genstande eller snavs blokerer for lyset.	<ul style="list-style-type: none"> ▶ Kontrollér for hindringer, og sørg for, at der ikke er skygge på solpanelerne. ▶ Flyt køretøjet til et mere egnet sted. ▶ Fjern alt snavs.
	Overophedning i solpanelerne.	<ul style="list-style-type: none"> ▶ Lad solpanelerne køle af. ▶ Flyt køretøjet til et mere egnet sted. ▶ Sørg for tilstrækkelig luftcirkulation omkring solpanelerne.
Et solpanel i rækken har svigtet.		<ul style="list-style-type: none"> ▶ Træk sikringen ud af solcelleladeren, og kontrollér solpanelspændingen (VoC) på solcelleladeren.
		<ul style="list-style-type: none"> ▶ Kontrollér solpanelerne for mikrorevner.
		<ul style="list-style-type: none"> ▶ Kontrollér solpanelet for afskrælninger. ▶ Udskift om nødvendigt solpanelet.

Garanti

Den lovbestemte garantiperiode gælder. Hvis produktet er defekt, bedes du kontakte din forhandler eller producentens afdeling i dit land (se dometic.com/dealer).

Ved reparation eller krav om garanti skal du medsende følgende bilag:

- En kopi af regningen med købsdato
- En reklamationsgrund eller en fejlbeskrivelse.

Vær opmærksom på, at egne eller uprofessionelle reparationer kan have sikkerhedsmæssige konsekvenser og kan gøre garantien ugyldig.

Bortskaffelse

Genbrug af emballagemateriale



- ▶ Bortskaf så vidt muligt emballagemateriale sammen med det tilsvarende genbrugsaffald.

Genbrug af produkter med batterier, genopladelige batterier eller lyskilder, der ikke kan udskiftes




- ▶ Hvis produktet indeholder batterier, genopladelige batterier eller lyskilder, der ikke kan udskiftes, skal du ikke fjerne dem før bortskaffelse.




- ▶ Hvis du vil bortskaffe produktet endegyldigt, skal du kontakte den nærmeste genbrugsstation eller din faghandel for at få de pågældende forskrifter om bortskaffelse.
- ▶ Produktet kan bortskaffes uden gebyr.


Tekniske data

Solcellesystem

	MT 120 FL	MT 240-2 FL	MT 150 FL	MT 300-2 FL
Nominel udgangseffekt (Wp)	120	240	150	300
Daglig udgangseffekt (Wh/dag)	480	960	660	1320
Mål (B x D x H)	1120 x 540 x 19 mm	2 x MT 120 FL	1380 x 540 x 19 mm	2 x MT 150 FL
Solpanel	MT SM 120 FL	2 x MT SM 120 FL	MT SM 150 FL	2 x MT SM 150 FL
Solcellelader	MT 150 PP	MT 350 PP	MT MPP 170	MT MPP 440
Vægt (uden kabler)	3,3 kg	6,3 kg	4,9 kg	9,5 kg
Inspektion/certificering				

	MT 170 FLQ	MT 340-2 FLQ
Nominel udgangseffekt (Wp)	170	340
Daglig udgangseffekt (Wh/dag)	750	1500
Mål (B x D x H)	980 x 980 x 19 mm	2 x MT 170 FLQ
Solpanel	MT SM 170 FLQ	2 x MT SM 170 FLQ
Solcellelader	MT MPP 170	MT MPP 440
Vægt (uden kabler)	5,2 kg	10,1 kg
Inspektion/certificering		

Solpanel

	MT SM 120 FL	MT SM 150 FL	MT SM 170 FLQ
Art.nr.	9620000138 (SM40120)	9620000259 (SM 40152)	9620000206 (SM 40170)
Nominel udgangseffekt (Wp)	120	150	170
Daglig udgangseffekt (Wh/dag)	480	660	750
Effektolerance	+/- 10 %	+/- 10 %	+/- 10 %
Kortslutningsstrøm (Isc)	6,4 A	6,4 A	7,2 A
Tomgangsspænding (VoC)	23,4 V	29,2 V	27,9 V
Antal celler	32	40	42
Celletype	Monokrystallin		
Udenomstemperatur	-40 °C til +85 °C		
Udenomsfugtighed	≤ 85 %		
Mål (B x D x H)	1120 x 540 x 19 mm	1382 x 540 x 19 mm	980 x 980 x 19 mm
Vægt	3,0 kg	4,6 kg	4,9 kg
Inspektion/certificering			

Specifikationerne er udarbejdet under standardtestbetingelserne for STC (STC: Irradians 1000 W/m², paneltemperatur 25 °C, AM 1.5).

Solcellelader (MT 150 PP, MT 350 PP)



Du kan finde detaljerede oplysninger om solcelleladerens tekniske data i den medfølgende monterings- og betjeningsvejledning eller online på https://documents.dometic.com/?object_id=83055

MPP-solcellelader (MT MPP 170, MT MPP 440)



Du kan finde detaljerede oplysninger om solcelleladerens tekniske data i den medfølgende monterings- og betjeningsvejledning eller online på https://documents.dometic.com/?object_id=83055

Läs och följ noggrant alla instruktioner, direktiv och varningar i den här produkthandboken för att säkerställa att du alltid installerar, använder och underhåller produkten på rätt sätt. Dessa instruktioner MÅSTE förvaras tillsammans med produkten.

Genom att använda produkten bekräftar du härmed att du noggrant har läst alla instruktioner, direktiv och varningar och att du förstår och är införstådd med att följa de villkor som anges här. Du är införstådd med att endast använda denna produkt i avsett syfte och i enlighet med instruktionerna, direktiven och varningarna som anges i denna produktbok samt i enlighet med alla gällande lagar och bestämmelser. Om du inte läser och följer instruktionerna och varningarna som anges här kan det leda till personskador på dig eller andra, eller till skador på produkten eller annan egendom i närheten. Denna produktbok, inklusive instruktionerna, direktiven och varningarna samt relaterad information, kan ändras och uppdateras. För uppdaterad produktinformation, besök documents.dometic.com.

Innehåll

Symbolförklaring	65
Säkerhetsanvisningar	65
Leveransomfattning	67
Tillbehör	67
Avsedd användning	68
Teknisk beskrivning	68
Installera solenergisystemet	68
Användning	69
Rengöring och skötsel	70
Felsökning	71
Garanti	72
Avfallshantering	72
Tekniska data	73

Symbolförklaring



FARA!

Säkerhetsanvisning: Anger en farlig situation som, om den inte kan undvikas, leder till döden eller allvarlig personskada.



VARNING!

Säkerhetsanvisning: Anger en farlig situation som, om den inte kan undvikas, kan leda till döden eller allvarlig personskada.



AKTA!

Säkerhetsanvisning: Anger en farlig situation som, om den inte kan undvikas, leder till lindrig eller måttlig personskada.



OBSERVERA!

Anger en situation som, om den inte kan undvikas, kan leda till materiell skada.



ANVISNING

Kompletterande information om användning av produkten.

Säkerhetsanvisningar

Beakta även säkerhetsanvisningarna och riktlinjerna från fordonstillverkaren och auktoriserade verkstäder.

Allmänna säkerhetsanvisningar



VARNING! Om man underlåter att följa de här varningarna blir följden dödsfall eller allvarlig personskada.

Risk för dödsfall på grund av elektricitet

- Solpaneler genererar likström och är källor för elektricitet när de exponeras för solljus eller andra ljuskällor. Se till att inte komma i kontakt med andra spänningsförande delar på solpanelen, som t.ex. plintar, eftersom detta kan orsaka brännskador, gnistor och dödliga elchocker antingen om modulen är ansluten eller frånkopplad.
- Installera inte solenergisystemet när solpanelerna är exponerade för direkt solljus eller andra ljuskällor. Täck över alla solpaneler med ett ogenomskinligt tyg eller material under installationen eller arbete med panelernas ledningar för att förhindra att elektricitet genereras.
- Solenergisystemet får endast installeras och tas bort av kvalificerad personal.
- Använd inte solenergisystemet om någon komponent är synligt skadad.
- Om apparatens strömkabel skadas måste den, av säkerhetsskäl, bytas ut av tillverkaren, en serviceperson eller någon person med motsvarande behörighet.
- Solenergisystemet får endast repareras av kvalificerad personal. Om man utför reparationer på fel sätt kan man utsättas för avsevärda risker.

- Om du vill demontera apparaten:
 - Lossa alla anslutningar.
 - Säkerställ att alla in- och utgångar är spänningsfria.
- Använd endast tillbehör som rekommenderas av tillverkaren.
- Ändra eller anpassa inte komponenterna på något sätt.

Risk för personskada

- Vid direkt solljus kan solpanelerna hettas upp till temperaturer på upp emot 70 °C. Vidrör inte solpanelernas ytor för att undvika brännskador.

Hälsorisk

- Barn från åtta års ålder, personer med nedsatt fysisk, sensorisk eller mental förmåga, eller personer med bristande erfarenhet och kunskaper får använda den här apparaten förutsatt att de hålls under uppsikt eller om de har fått anvisningar om hur man använder den här apparaten på ett säkert sätt och känner till vilka risker som är förknippade med användningen.
- **Elapparater är inga leksaker.** Förvara och använd apparaten utom räckhåll för små barn.
- Barn måste hållas under uppsikt så att de inte leker med apparaten.
- Utan uppsikt får barn inte utföra rengörings- eller underhållsarbeten.



OBSERVERA! Risk för skada

- Kontrollera att det **inte är möjligt** för andra föremål att orsaka kortslutning vid apparatens kontakter.
- Säkerställ att negativa och positiva poler **aldrig** kommer i kontakt med varandra.
- Gå inte på och luta dig inte emot solpanelerna.
- Utsätt inte glaset eller baksidan på solpanelerna för belastningar, det kan skada cellerna eller orsaka mikrosprickor.
- Förvara solenergisystemet på ett säkert ställe före montering och efter demontering. Skydda solpanelerna från att ramlas ned eller tippa.

Säkerhet vid installering av apparaten



FARA! Om man underlåter att följa de här varningarna blir följden dödsfall eller allvarlig personskada.

Explosionsrisk

- Montera inte apparaten i områden där det finns risk för gas- eller dammexplosion.



WARNING! Om man underlåter att följa de här varningarna kan följden bli dödsfall eller allvarlig personskada.

Risk för personskada

- Om du installerar solenergisystemet på ett tak:
 - Utför inget installations- eller monteringsarbete i starka vindar.
 - Säkra dig själv och andra personer mot fall.
 - Se till att inga föremål kan falla ned.
 - Säkra arbetsområdet så att inga andra personer kan skadas.



OBSERVERA! Risk för skada

- Felaktigt monterade solpaneler kan lossna och falla ned. Använd inte silikon eller något annat lim än det som medföljer för att säkerställa en optimal vidhäftning.

Säkerhet vid elektrisk anslutning av apparaten



WARNING! Om man underlåter att följa de här varningarna kan följden bli dödsfall eller allvarlig personskada.

Risk för dödsfall på grund av elektricitet

- Elinstallationer får endast utföras av utbildade elektriker och måste göras enligt nationella föreskrifter. Icke fackmässiga anslutningsarbeten kan medföra allvarliga risker.
- Vid alla arbeten på den elektriska installationen: se till att det finns en annan person i närheten som kan ingripa vid ev. nödfall.
- Beakta de nödvändiga kabelareorna.
- Dra kablar så att de inte kan skadas av dörrar eller motorhuvor. Klämda kablar kan orsaka personskador med dödlig utgång.



OBSERVERA! Risk för skada

- Överskrid inte solladdarens märkdata för ström och spänning. Installera endast solpaneler som inte överskrider solladdarens maximala märkeffekt. Om ditt solenergisystem överskrider dessa märkdata, kontakta din återförsäljare för information om en lämplig solladdare.
- Använd tomma rör eller kabelkanaler om kablarna dras genom plåtväggar eller andra väggar med vassa kanter.
- Lägg **inte** 230 V-nätledningen och 12-V-likströmsledningen i samma kabelkanal (tomt rör).
- Lägg **inte** kablarna löst eller med skarpa böjor.
- Sätt fast kablarna så att de sitter säkert.
- Dra inte i kablarna.

Säkerhet vid användning av apparaten



FARA! Om man underlåter att följa de här varningarna blir följden dödsfall eller allvarlig personskada.

Risk för dödsfall på grund av elektricitet

- Ta inte tag i avskalade ledningar med händerna.



WARNING! Om man underlåter att följa de här varningarna kan följden bli dödsfall eller allvarlig personskada.

Risk för personskada

- Kontrollera innan färden börjar och därefter med jämna mellanrum under färden att solpanelerna sitter fast ordentligt på taket. En felaktigt monterad solpanel kan falla ned under färden och orsaka olyckor för andra trafikanter.



AKTA! Om man underlåter att följa de här försiktighetsåtgärderna kan följden bli lindrig eller måttlig personskada.

Explosionsrisk

- Använd **inte** apparaten i dessa förhållanden:
 - I närheten av aggressiva ångor
 - I närheten av brännbara material
 - I explosionsfarliga omgivningar



OBSERVERA! Risk för skada

- Undvik kraftiga stötar och vibrationer under körning.

Leveransomfattning

Del i bild 1 , sida 3	Beteckning	Antal
1	Solpanel (MT 120 FL, MT 150 FL, MT 170 FLQ)	1
1	Solpanel (MT 240-2 FL, MT 300-2 FL, MT 340-2 FLQ)	2
2	Takledning	1
3	Solladdare	1
4	Limsats	1
5	Inomhuskabel (2 x 4 mm ²)	1
6	Temperaturgivare	1
7	Kabelklämmor	2
8	EBL kabelsats	1
–	Monterings- och bruksanvisning för solladdaren	1

Tillbehör

Följande tillbehör finns tillgängliga (ingår inte i leveransen):

Beskrivning	SKU
MT iQ Solar Monitor LED I	9620000230 (MT 71242)
MT iQ Solar Monitor LCD III	9620000328 (MT 01250)
MT iQ SolarPRO	9620000309 (MT 01240)

Avsedd användning

Solenergisystemet är avsett att omvandla solljus till likström (DC) som laddar de uppladdningsbara 12 V-batterierna i fordon eller båt eller för att försörja dem med frispänning för kraftgenerering.

Batteriet kan dessutom användas som en stabil elförsörjning som försörjer likströmsdrivna apparater som är anslutna till batteriet.

Solenergisystemet är avsett för:

- Installation i husvagnar och husbilar
- Stationär eller mobil användning
- Extrema driftförhållanden (olika resor)
- Vindhastigheter upp till 225 km/h

Solenergisystemet är **inte** avsett för:

- Nätförsörjning
- Bärbara applikationer

Energieffekten på de anslutna solpanelerna får inte överstiga max. uteffekt i tekniska data.

Den här produkten lämpar sig endast för avsedd användning i enlighet med denna bruksanvisning.

Den här manualen informerar om vad som krävs för att installera och/eller använda produkten på rätt sätt. Felaktig installation och/eller användning eller felaktigt underhåll kommer leda till att produkten inte fungerar optimalt och riskerar gå sönder.

Tillverkaren tar inget ansvar för personskador eller materiella skador på produkten som uppstår till följd av:

- Felaktig montering eller anslutning, inklusive för hög spänning
- Felaktigt underhåll eller användning av reservdelar som inte är originaldelar från tillverkaren
- Ändringar som utförts utan uttryckligt medgivande från tillverkaren
- Användning för andra ändamål än de som beskrivs i denna bruksanvisning.

Dometic förbehåller sig rätten att ändra produktens utseende och specifikationer.

Teknisk beskrivning

Solpanelerna är mycket platta och är monterade direkt mot fordonstaket. Solpanelerna kan monteras på lätt rundade taktytor och det går att gå på dem.

Solenergisystemet kan byggas ut med fler solpaneler med samma effekt.

Solladdaren är ansluten mellan solpanelerna och batteriet för att garantera att korrekt laddningsström kommer till batterierna och för att skydda batterierna mot överspänning och urladdning.

Installera solenergisystemet



WARNING! Risk för dödsfall på grund av elektricitet

Täck över alla solpaneler med ett ogenomskinligt material under installationen för att förhindra att elektricitet genereras.

Plats för installation

Beakta följande vid val av monteringsställe:

- Monteringsytan måste vara plan och tillräckligt stabil för att hålla solpanelen.
- Säkerställ att det finns tillräckligt med plats på monteringsytan.
- Säkerställ att det finns tillräckligt med plats för att komma åt solpanelerna och andra fasta komponenter för framtida underhåll.
- Se till att inte blockera befintliga ventilationsöppningar på fordonet.
- Skugga kan reducera solenergisystemets effekt. Säkerställ att fasta komponenter, som t.ex. luftkonditioneringar eller satellitantenner, inte kastar skuggor på solpanelerna.
- Välj en plats med direkt solljus för optimal effekt.
- Placera flera solpaneler så nära varandra som möjligt.
- Limma inte fast solpanelerna eller takledningarna på gummade material (t.ex. yttre tätningar), då kan inte limmets vidhäftning garanteras.

Förbereda installationen

- Markera och förbered monteringsytorna, se bild **4**, sida 4 till bild **7**, sida 4.

Montera solenergisystemet



VARNING! Risk för personskada

Använd inte silikon eller något annat lim än det som medföljer.

- För att montera solenergisystemet, fortsätt enligt beskrivningen i bild **8**, sida 5 till bild **16**, sida 6.

Anslut utomhuskabeln och inomhuskabeln (bild **17**, sida 6)



ANVISNING

Kabellängden bör vara så kort som möjlig.

1. Avisolera kabeländarna enligt följande beskrivning:
 - Utomhuskabel 11 mm (2,5 mm²)
 - Inomhuskabel 11 mm (4 mm²)
2. Anslut utomhuskabeln till inomhuskabeln vid en lämplig punkt med kabelklämman (**1**).

Ansluta solladdaren (MT 150 PP, MT 350 PP)



Det finns information om installationen av solladdaren i den bifogade monterings- och bruksanvisningen eller online via

https://documents.dometic.com/?object_id=83055



Observera även instruktionerna och säkerhetsåtgärderna för alla andra komponenter som används till solenergisystemet.

Ansluta MPP-solladdaren (MT MPP 170, MT MPP 440)



Det finns information om installationen av solladdaren i den bifogade monterings- och bruksanvisningen eller online via

https://documents.dometic.com/?object_id=83056



Observera även instruktionerna och säkerhetsåtgärderna för alla andra komponenter som används till solenergisystemet.

Användning

Observera följande för en optimal användning av solenergisystemet:

- Solenergisystemet genererar olika mängder elektricitet beroende hur mycket solljus som skinner under dagen. Ju mer solljus som skinner på solenergisystemet desto mer elektricitet genereras. Mängden elektricitet som genereras påverkas av följande förutsättningar:
 - Molnigt väder
 - Säsongsbetonad solstrålning
 - Variationer beroende på solens infallsvinkel
 - Skuggor eller smuts på solenergisystemet
- Solenergisystemets kapacitet minskar ju mer solpanelerna hettas upp. Säkerställ en tillräcklig ventilation för att undvika överdriven solstrålning.

Rengöring och skötsel



WARNING! Risk för dödsfall på grund av elektricitet

Skadade glas på solpanelerna kan orsaka elektriska stötar eller bränder. Dessa paneler kan inte repareras och bör bytas ut omedelbart. Kontakta en auktoriserad servicerepresentant.



AKTA! Risk för personskada

Låt solpanelerna svalna innan de rengörs för att undvika brännskador eller skador på solpanelerna p.g.a. plötsliga temperaturskillnader. Rengör solpanelerna tidigt på morgonen eller sent på eftermiddagen när det är lite solljus och solpanelerna är svalare.



OBSERVERA! Risk för skada

- Rengör inte solpanelerna med en högttrycksvätt.
- Använd inga vassa eller hårda föremål, starka rengöringsmedel eller blekmedel vid rengöringen, eftersom det kan skada apparaten.

- Kontrollera regelbundet spänningsförande kablar avseende skadad isolering, brott, skador från gnagare, väderförvittring och att alla anslutningar är åtsittande och korrosionsfria.
- Kontrollera regelbundet att solpanelernas ytor inte är spruckna eller att komponenter är defekta eller saknas.
- För maximum effekt ska solpanelerna vara fria från smuts och skuggor, t.ex. damm och löv. Rengör solpanelerna med en mjuk och fuktig trasa eller tvättsvamp.
- Kontrollera regelbundet att takledningen är tät och oskadad.

Felsökning

Fel	Möjlig orsak	Lösning
Solenergisystemet funkar inte (ingen uteffekt).	Fel på isolering, brott eller lösa anslutningar på spänningsförande kablar.	<ul style="list-style-type: none">➤ Kontrollera att de spänningsförande kablarna avseende isoleringsfel, brott eller lösa anslutningar.➤ Dra ut säkringen på solladdaren och kontrollera solpanelens spänning (VoC) på solladdaren.➤ Om du inte kan hitta något fel, kontakta en auktoriserad servicerepresentant.
	Fel på solladdaren.	<ul style="list-style-type: none">➤ Byt ut solladdaren.
Solenergisystemet funkar inte korrekt (låg uteffekt).	Föremål eller smuts blockerar solljuset.	<ul style="list-style-type: none">➤ Kontrollera om det finns blockerande föremål och säkerställ att solpanelerna inte är i skugga.➤ Flytta fordonet till en lämpligare plats.➤ Ta bort alla former av smuts.
	Solpanelerna är överhettade.	<ul style="list-style-type: none">➤ Låt solpanelerna svalna.➤ Flytta fordonet till en lämpligare plats.➤ Säkerställ att det finns tillräcklig luftcirkulation runt om solpanelerna.
	Fel på en solpanel i gruppen.	<ul style="list-style-type: none">➤ Dra ut säkringen på solladdaren och kontrollera solpanelens spänning (VoC) på solladdaren.➤ Kontrollera om det finns mikrosprickor på solpanelerna.➤ Kontrollera solpanelerna avseende delaminering.➤ Vid behov, byt ut solpanelen.

Garanti

Den lagstadgade garantitiden gäller. Kontakta din återförsäljare eller tillverkarens avdelningskontor i ditt land (se dometic.com/dealer) om produkten är defekt.

Vid reparations- och garantiärenden ska följande dokument skickas med när du returnerar produkten:

- En kopia på fakturan med inköpsdatum
- En reklambeskrivning eller felbeskrivning

Observera att självständiga eller icke professionella reparationer kan påverka säkerheten och leda till att garantin blir ogiltig.

Avfallshantering

Återvinning av förpackningsmaterial



- ▶ Lämna om möjligt förpackningsmaterialet till återvinning.

Återvinning av produkter med icke-utbytbara batterier, laddningsbara batterier eller ljuskällor




- ▶ Om produkten innehåller icke-utbytbara batterier, laddningsbara batterier eller ljuskällor behöver du inte avlägsna dem före kassering.




- ▶ När produkten slutgiltigt tas ur bruk: Informera dig om gällande bestämmelser hos närmaste återvinningscentral eller hos återförsäljaren.
- ▶ Produkten kan kasseras utan avgift.


Tekniska data

Solenergisystem

	MT 120 FL	MT 240-2 FL	MT 150 FL	MT 300-2 FL
Nominell effekt (Wp)	120	240	150	300
Daglig effekt (Wh/dag)	480	960	660	1320
Dimensioner (B x D x H)	1120 x 540 x 19 mm	2 x MT 120 FL	1380 x 540 x 19 mm	2 x MT 150 FL
Solpanel	MT SM 120 FL	2 x MT SM 120 FL	MT SM 150 FL	2 x MT SM 150 FL
Solladdare	MT 150 PP	MT 350 PP	MT MPP 170	MT MPP 440
Vikt (utan kablar)	3,3 kg	6,3 kg	4,9 kg	9,5 kg
Besiktning/certifiering				

	MT 170 FLQ	MT 340-2 FLQ
Nominell effekt (Wp)	170	340
Daglig effekt (Wh/dag)	750	1500
Dimensioner (B x D x H)	980 x 980 x 19 mm	2 x MT 170 FLQ
Solpanel	MT SM 170 FLQ	2 x MT SM 170 FLQ
Solladdare	MT MPP 170	MT MPP 440
Vikt (utan kablar)	5,2 kg	10,1 kg
Besiktning/certifiering		

Solpanel

	MT SM 120 FL	MT SM 150 FL	MT SM 170 FLQ
Art.nr	9620000138 (SM40120)	9620000259 (SM 40152)	9620000206 (SM 40170)
Nominell effekt (Wp)	120	150	170
Daglig effekt (Wh/dag)	480	660	750
Effektolerans	+/- 10 %	+/- 10 %	+/- 10 %
Kortslutningsström (Isc)	6,4 A	6,4 A	7,2 A
Vilospänning (VoC)	23,4 V	29,2 V	27,9 V
Antal celler	32	40	42
Celltyp	Monokristallin		
Omgivningstemperatur	-40 °C till +85 °C		
Luftfuktighet omgivning	≤ 85 %		
Dimensioner (B x D x H)	1120 x 540 x 19 mm	1382 x 540 x 19 mm	980 x 980 x 19 mm
Vikt	3,0 kg	4,6 kg	4,9 kg
Besiktning/certifiering			

Specifikationerna har framställts under standardiserade förutsättningar (STC: Irradians 1000 W/m², paneltemperatur 25 °C, AM 1,5).

Solladdare (MT 150 PP, MT 350 PP)



Det finns detaljerad information om solladdarens tekniska data i den bifogade monterings- och bruksanvisningen eller online via https://documents.dometic.com/?object_id=83055

MPP-solladdare (MT MPP 170, MT MPP 440)



Det finns detaljerad information om solladdarens tekniska data i den bifogade monterings- och bruksanvisningen eller online via https://documents.dometic.com/?object_id=83056

NO

Vennligst les disse instruksjonene nøye og følg alle instruksjoner, retningslinjer og advarsler som er inkludert i denne produktveiledningen for å sikre at du installerer, bruker og vedlikeholder produktet ordentlig til enhver tid. Disse instruksjonene MÅ følge med dette produktet.

Ved å bruke dette produktet bekrefter du at du har lest alle instruksjoner, retningslinjer og advarsler nøye, og at du forstår og aksepterer å overholde betingelsene og vilkårene slik de er presentert her. Du godtar å bruke dette produktet kun til tiltenkt formål og anvendelse, og i samsvar med instruksjonene, retningslinjene og advarslene slik de er presentert i denne produktveiledningen, så vel som i samsvar med alle gjeldende lovbestemmelser og forskrifter. Hvis instruksjonene og advarslene som er presentert her, ikke blir lest og fulgt, kan dette resultere i personskader hos deg selv eller andre, skade på produktet eller skade på annen eiendom i nærheten. Denne produktveiledningen, inkludert instruksjonene, retningslinjene og advarslene, samt relatert dokumentasjon, kan være underlagt endringer og oppdateringer. For oppdatert produktinformasjon, se documents.dometic.com.

Innhold

Symbolforklaring	75
Sikkerhetsanvisninger	75
Leveringsomfang	77
Tilbehør	77
Forskriftsmessig bruk	78
Teknisk beskrivelse	78
Installere solcelleanlegget	78
Betjening	79
Rengjøring og vedlikehold	79
Feilretting	80
Garanti	81
Kassering	81
Tekniske spesifikasjoner	82

Symbolforklaring



FARE!

Sikkerhetsregel: Kjennetegner en farlig situasjon som - dersom den ikke unngås - resulterer i alvorlige personskader, eventuelt med døden til følge.



ADVARSEL!

Sikkerhetsregel: Kjennetegner en farlig situasjon som - dersom den ikke unngås - kan resultere i alvorlige personskader, eventuelt med døden til følge.



FORSIKTIG!

Sikkerhetsregel: Kjennetegner en farlig situasjon som - dersom den ikke unngås - kan resultere i mindre til moderate personskader.



PASS PÅ!

Kjennetegner en situasjon som - dersom den ikke unngås - kan resultere i materielle skader.



MERK

Ytterligere informasjon om betjening av produktet.

Sikkerhetsanvisninger

Følg også sikkerhetsregler og vilkår fra kjøretøyprodusent og autorisert verksted.

Grunnleggende sikkerhet



ADVARSEL! Manglende overholdelse av disse advarslene resulterer i alvorlige personskader, eventuelt med døden til følge.

Fare for elektrisk støt

- Solcellepanelet produserer likestrøm og er en strømkilde når det eksponeres for sollys eller andre lyskilder. Ikke kom i kontakt med strømførende deler av solcellepanelet, som f.eks. tilkoblingsterminalene, da dette kan forårsake forbrenninger, gnistdannelse og livstruende elektrisk støt, uansett om modulen er tilkoblet eller ikke.
- Ikke installer solcelleanlegget når solcellepanelene er eksponert for sollys eller andre lyskilder. Dekk til alle solcellepaneler med et ugjennomsiktig stoff eller andre materialer for å forhindre at det produseres strøm under installasjon, arbeid på solcellepanelene eller kabling.
- Montering og demontering av solcelleanlegget må kun utføres av kvalifisert personell.
- Ikke bruk solcelleanlegget dersom komponenter har synlige skader.

- Hvis strømkabelen til apparatet er skadet, må den skiftes ut av produsenten, et serviceverksted eller en tilsvarende utdannet person for å forhindre at sikkerheten settes i fare.
- Solcelleanlegget må bare repareres av kvalifisert personell. Utilstrekkelige reparasjoner kan medføre betydelige farer.
- Hvis du demonterer apparatet:
 - Frakoble alle kontakter.
 - Forsikre deg om at alle inn- og utganger er spenningsfrie.
- Bruk kun tilbehør som er anbefalt av produsenten.
- Ikke modifier eller tilpass komponenter på noen måte.

Fare for personskader

- Når solcellepanelene utsettes for direkte sollys, kan de varmes opp til 70 °C. Unngå kontakt med overflaten på solcellepaneler for å unngå forbrenninger.

Helsefare

- Dette apparatet kan brukes av barn fra 8 år og oppover og personer med reduserte fysiske, sensoriske eller mentale evner eller som mangler erfaring og kunnskap, hvis de er under oppsyn eller har fått veiledning i hvordan apparatet brukes på en forsvarlig måte og forstår hvilke farer det innebærer.
- **Elektriske apparater er ikke leketøy.** Oppbevar og bruk apparatet utenfor barns rekkevidde.
- Barn skal være under tilsyn for å sikre at de ikke leker med apparatet.
- Rengjøring og vedlikehold skal ikke utføres av barn uten at de er under oppsyn.



PASS PÅ! Fare for skader

- Påse at andre gjenstander **ikke** kan forårsake kortslutning på kontaktene til apparatet.
- Pass på at negative og positive poler **aldri** kommer i kontakt med hverandre.
- Ikke trå på eller len deg mot solcellepaneler.
- Ikke utsett glasset eller baksiden av solcellepaneler for høy belastning, da dette kan føre til skader på cellene eller forårsake mikroskopiske sprekker.
- Før montering og etter demontering solcelleanlegget oppbevares på et trygt sted. Beskytt solcellepanelene mot å falle ned eller velte.

Montere apparatet sikkert



FARE! Manglende overholdelse av disse advarslene resulterer i alvorlige personskader, eventuelt med døden til følge.

Eksplisjonsfare

- Ikke monter apparatet på steder hvor det er fare for gass- eller støveksplisjon.



ADVARSEL! Manglende overholdelse av disse advarslene kan resultere i alvorlige personskader, eventuelt med døden til følge.

Fare for personskader

- Hvis solcelleanlegget skal monteres på et tak:
 - Ikke utfør monteringen i sterk vind.
 - Beskytt deg selv og andre mot å falle ned.
 - Forhindre at gjenstander kan falle ned.
 - Sikre arbeidsområdet slik at ikke andre personer kan komme til skade.



PASS PÅ! Fare for skader

- Ukorrekt monterte solcellepaneler kan løsne og falle ned. For å sikre optimalt feste må det ikke benyttes silikon eller andre klebemidler enn de som følger med.

Sikkerhet ved elektrisk tilkobling av apparatet



ADVARSEL! Manglende overholdelse av disse advarslene kan resultere i alvorlige personskader, eventuelt med døden til følge.

Fare for elektrisk støt

- Den elektriske installasjonen skal bare utføres av en fagperson i henhold til nasjonale forskrifter. På grunn av feil tilkobling kan vesentlige farer oppstå.
- Når du arbeider på elektriske anlegg, forsikre deg om at det er noen i nærheten som kan hjelpe deg i et nødstilfelle.
- Bruk de anbefalte kabeldiameterne.
- Legg kablene slik at de ikke skades av dører eller panser. Kabler i klem kan føre til livsfarlige skader.



PASS PÅ! Fare for skader

- Ikke overskrid solcelleladerens nominelle strøm eller spenning. Installer bare solcellepaneler opptil den nominelle maksimaleffekten for solcelleladeren. Hvis solcelleanlegget overskrider disse verdiene: Ta kontakt med forhandleren din for å anskaffe en egnet solcellelader.
- Bruk tomme rør eller ledningsgjennomføringer når ledninger må føres gjennom platevegger eller andre vegger med skarpe kanter.
- **Ikke** legg 230 V nettleidninger og 12 V likestrømsledningen sammen i den samme ledningskanalen.
- **Ikke** legg ledningene løst eller med skarpe bøyer.
- Fest kablene sikkert.
- Ikke trekk i kablene.

Sikkerhet ved bruk av apparatet



FARE! Manglende overholdelse av disse advarslene resulterer i alvorlige personskader, eventuelt med døden til følge.

Fare for elektrisk støt

- Ikke berør blanke ledninger med bare hender.



ADVARSEL! Manglende overholdelse av disse advarslene kan resultere i alvorlige personskader, eventuelt med døden til følge.

Fare for personskader

- Kontroller at solcellepanelene er godt festet til taket ved starten på hver reise og med regelmessige mellomrom på turen. Et ukorrekt festet solcellepanel kan falle av under turen og skade folk på veien.



FORSIKTIG! Manglende overholdelse av disse forsiktighetsvarslene kan resultere i mindre til moderate personskader.

Eksplisjonsfare

- **Ikke** bruk apparatet under følgende forhold:
 - I nærheten av aggressive damper
 - I nærheten av brennbare materialer
 - På eksplosjonsfarlige steder



PASS PÅ! Fare for skader

- Unngå kraftige slag og vibrasjoner under kjøring.

Leveringsomfang

Posisjon i fig. 1, side 3	Betegnelse	Antall
1	Solcellepanel (MT 120 FL, MT 150 FL, MT 170 FLQ)	1
1	Solcellepanel (MT 240-2 FL, MT 300-2 FL, MT 340-2 FLQ)	2
2	Takgjennomføring	1
3	Solcellelader	1
4	Limsett	1
5	Innendørskabel (2 x 4 mm ²)	1
6	Temperaturføler	1
7	Koblingsklemme	2
8	EBL-kabelsett	1
–	Monterings- og bruksanvisning for solcellelader	1

Tilbehør

Tilgjengelig som tilbehør (ikke inkludert i leveransen):

Beskrivelse	SKU
MT iQ solcelledisplay LED I	9620000230 (MT 71242)
MT iQ solcelledisplay LCD III	9620000328 (MT 01250)
MT iQ SolarPRO	9620000309 (MT 01240)

Forskriftsmessig bruk

Solcelleanlegget omformer sollys til likestrøm (DC) for lading av oppladbare 12 V-batterier i kjøretøyer eller båter på tur, eller forsyne med dem med vedlikeholdsspenning for strømproduksjon. Batteristrømmen kan også brukes som stabil strømforsyning for apparater som benytter likestrøm og er tilkoblet batteriet.

Solcelleanlegget er egnet for:

- Montering på campingvogner og bobiler
- Stasjonær eller mobil bruk
- Ekstreme bruksforhold (ekspedisjoner)
- Vindhastigheter opptil 225 km/t

Solcelleanlegget er **ikke** egnet for:

- Strømnettdrift
- Bærbar bruk

Energieffekten til de tilkoblede solcellepanelene må ikke overskride maks. effekt oppgitt i tekniske data.

Dette produktet er kun egnet for det tiltenkte formålet og anvendelsen i samsvar med disse instruksjonene.

Denne håndboken gir informasjon som er nødvendig for en ordentlig installasjon og/eller drift av produktet. Dårlig installasjon og/eller upassende drift eller vedlikehold vil resultere i en utilfredsstillende ytelse og en mulig svikt.

Produsenten påtar seg intet ansvar for personskader eller materielle skader på produktet som følger av:

- Ikke korrekt montering eller tilkobling, inkludert for høy spenning
- Ikke korrekt vedlikehold eller bruk av reservedeler foruten de originale reservedelene som leveres av produsenten
- Endringer på produktet uten at det er gitt uttrykkelig godkjenning av produsenten
- Bruk til andre formål enn det som er beskrevet i denne håndboken

Dometic forbeholder seg rettigheten til å endre produktet ytre og produktspesifikasjoner.

Teknisk beskrivelse

Solcellepanelene er særdeles flate, og limes rett på taket av kjøretøyet. Solcellepanelene kan legges på lett kurvede takoverflater, og tåler å bli tråkket på.

Solcelleanlegget kan utvides ved å legge til flere solcellepaneler med samme effekt.

Solcelleladeren kobles til mellom solcellepanelene og batteriet for å sikre korrekt ladestrøm til batteriene og beskytte batteriene mot overspenning og dyputlading.

Installere solcelleanlegget



ADVARSSEL! Fare for elektrisk støt

Dekk alle solcellepaneler komplett med et ugjennomsiktig material under montasjen for å unngå at det genereres elektrisitet.

Montasjested

Ta hensyn til følgende ved valg av monteringssted:

- Monteringsoverflaten må være flat og stabil nok til å tåle solcellepanelet.
- Forsikre deg om at den tiltenkte monteringsoverflaten er tilstrekkelig dimensjonert.
- Forsikre deg om at det nok plass for tilgang til fremtidig vedlikehold av solcellepanelene og andre fastmonterte komponenter.
- Pass på å ikke blokkere ventilasjonsåpninger på kjøretøyet.
- Skygge kan redusere ytelsen i solcelleanlegget. Forsikre deg om at fastmonterte komponenter som klimaanlegg eller parabolantennene ikke skygger for solcellepanelene.
- Velg en plassering med direkte sollys for optimal ytelse.
- Flere solcellepaneler bør plasseres så nær hverandre som mulig.
- Ikke lim solcellepaneler eller takgjennomføringer til gummibelagte overflater (f.eks. overflatebelegg), ettersom limets festeevne da ikke er sikret.

Forberede montering

- Marker og forbered flater, se fig. **4**, side 4 til fig. **7**, side 4.

Montere solcelleanlegget



ADVARSEL! Fare for personskader

Ikke benytt silikon eller andre klebemidler enn de som følger med.

- For å montere solcelleanlegget går du frem som vist i fig. **8**, side 5 til fig. **16**, side 6.

Koble sammen utendørs- og innendørskabelen (fig. **17**, side 6)



MERK

Kabellengden skal være så kort som mulig.

1. Avisoler kabelendene som følger:
 - Utendørskabel 11 mm (2,5 mm²)
 - Innendørskabel 11 mm (4 mm²)
2. Koble utendørskabelen til innendørskabelen på et egnet sted ved hjelp av koblingsklemmen (1).

Koble til solcellelader (MT 150 PP, MT 350 PP)



Du finner informasjon om installasjon av solcelleladeren i den medfølgende monterings- og bruksanvisningen, eller på nettet: https://documents.dometic.com/?object_id=83055



Følg også anvisningene og sikkerhetsinstruksene for alle andre komponenter som benyttes i solcelleanlegget.

Koble til MPP-solcellelader (MT MPP 170, MT MPP 440)



Du finner informasjon om installasjon av solcelleladeren i den medfølgende monterings- og bruksanvisningen, eller på nettet: https://documents.dometic.com/?object_id=83056



Følg også anvisningene og sikkerhetsinstruksene for alle andre komponenter som benyttes i solcelleanlegget.

Betjening

For å bruke solcellepanelet på en optimal måte, bør du være oppmerksom på følgende:

- Solcelleanlegget produserer ulike mengder elektrisk strøm avhengig av mengden sollys i løpet av en dag. Jo mer sollys som treffer solcelleanlegget, jo mer strøm produserer det. Mengden strøm som produseres påvirkes av følgende faktorer:
 - Skyet vær
 - Årstidsavhengig solinnstråling
 - Variasjoner i sollysets vinkel
 - Skygge eller smuss på solcelleanlegget
- Ytelsen i solcelleanlegget synker jo varmere solcellepanelene blir. Sørg for god ventilasjon og unngå ekstrem solinnstråling.

Rengjøring og vedlikehold



ADVARSEL! Fare for elektrisk støt

Et knust glass solcellepanelet kan forårsake elektrisk støt eller brann. Disse panelene kan ikke repareres, og bør skiftes ut umiddelbart. Kontakt et autorisert serviceverksted.



FORSIKTIG! Fare for personskader

La solcellepanelene kjøles ned før rengjøring for å unngå forbrenninger og skader på solcellepanelet som følge av ekstreme temperaturskjeller. Rengjør solcellepanelene tidlig om morgenen eller om kvelden, når solen står lavt og solcellepanelene er kjøligere.



PASS PÅ! Fare for skader

- Ikke rengjør solcelleanlegget med høytrykkspyler.
- Bruk ikke skarpe eller harde gjenstander, skurende vaskemidler eller blekemidler under rengjøring, da disse kan skade apparatet.

- ▶ Undersøk strømkablene regelmessig med henblikk på ødelagt isolasjon, brudd, gnagerskader og forvitring, og kontroller at alle tilkoblinger sitter godt og er uten korrosjon.
- ▶ Undersøk overflaten på solcellepanelene regelmessig med henblikk på sprekker eller manglende eller defekte komponenter.
- ▶ For maksimal ytelse må solcellepanelet holdes fritt for smuss og skygge, f.eks. støv og blader. Rengjør solcellepanelene med en myk og fuktig klut eller svamp.
- ▶ Kontroller tetningen på takgjennomføringen med henblikk på eventuelle skader fra tid til annen.

Feilretting

Problem	Mulig årsak	Løsningsforslag
Solcelleanlegget fungerer ikke (ingen effektutgang).	Isoleringsfeil, brudd eller vakkkelkontakter på strømførende kabler.	<ul style="list-style-type: none"> ▶ Sjekk strømførende kabler for feil på isoleringen, brudd eller vakkkelkontakter. ▶ Trekk ut sikringen i solcelleladeren og sjekk solcellepanelets spenning (VoC) på solcelleladeren. ▶ Hvis du ikke kan finne noen feil, tar du kontakt med et autorisert serviceverksted.
	Defekt solcellelader.	<ul style="list-style-type: none"> ▶ Skift ut solcelleladeren.
Solcelleanlegget fungerer ikke korrekt (lav effektutgang).	Gjenstander eller smuss stenger lyset ute.	<ul style="list-style-type: none"> ▶ Sjekk med hensyn til hindringer og sørg for at solcellepanelene ikke blokkeres av skygger. ▶ Plasser kjøretøyet på et bedre egnet sted. ▶ Fjern smuss.
	Solcellepanelene er overopphetet.	<ul style="list-style-type: none"> ▶ La solcellepanelene kjøles ned. ▶ Plasser kjøretøyet på et bedre egnet sted. ▶ Sørg for tilstrekkelig luftsirkulasjon rundt solcellepanelene.
Et solcellepanel i serien har sviktet.		<ul style="list-style-type: none"> ▶ Trekk ut sikringen i solcelleladeren og sjekk solcellepanelets spenning (VoC) på solcelleladeren.
		<ul style="list-style-type: none"> ▶ Undersøk solcellepanelene med henblikk på mikroskopiske sprekker.
		<ul style="list-style-type: none"> ▶ Undersøk om lamineringen på solcellepanelene er i ferd med å løsne. ▶ Skift ut solcellepanelet ved behov.

Garanti

Lovmessig garantitid gjelder. Hvis produktet er defekt, ta kontakt med forhandleren eller produsentens filial i landet (se dometic.com/dealer).

Ved henvendelser vedrørende reparasjon eller garanti, må du sende med følgende dokumentasjon:

- Kopi av kvitteringen med kjøpsdato
- Årsak til reklamasjonen eller beskrivelse av feilen

Vær oppmerksom på at reparasjoner som utføres selv, eller som ikke utføres på en profesjonell måte, kan gå ut over sikkerheten og føre til at garantien blir ugyldig.

Kassering

Resirkulering av emballasje



- ▶ Lever emballasje til resirkulering så langt det er mulig.

Resirkulering av produkter med ikke-erstattbare batterier, oppladbare batterier eller lyskilder




- ▶ Hvis produkter inneholder ikke-erstattbare batterier, oppladbare batterier eller lyskilder, trenger du ikke fjerne dem før avhending.




- ▶ Hvis du ønsker å avfallsbehandle produktet, må du rådføre deg med nærmeste gjenvinningsstasjon eller din faghandler om hvordan du kan gjøre dette i overensstemmelse med gjeldende deponeringsforskrifter.
- ▶ Produktet kan avhendes gratis.


Tekniske spesifikasjoner

Solcelleanlegg

	MT 120 FL	MT 240-2 FL	MT 150 FL	MT 300-2 FL
Nominell utgangseffekt (Wp)	120	240	150	300
Daglig effektproduksjon (Wh/dag)	480	960	660	1320
Mål (B x D x H)	1120 x 540 x 19 mm	2 x MT 120 FL	1380 x 540 x 19 mm	2 x MT 150 FL
Solcellepanel	MT SM 120 FL	2 x MT SM 120 FL	MT SM 150 FL	2 x MT SM 150 FL
Solcellelader	MT 150 PP	MT 350 PP	MT MPP 170	MT MPP 440
Vekt (uten kabler)	3,3 kg	6,3 kg	4,9 kg	9,5 kg
Inspeksjon/sertifisering				

	MT 170 FLQ	MT 340-2 FLQ
Nominell utgangseffekt (Wp)	170	340
Daglig effektproduksjon (Wh/dag)	750	1500
Mål (B x D x H)	980 x 980 x 19 mm	2 x MT 170 FLQ
Solcellepanel	MT SM 170 FLQ	2 x MT SM 170 FLQ
Solcellelader	MT MPP 170	MT MPP 440
Vekt (uten kabler)	5,2 kg	10,1 kg
Inspeksjon/sertifisering		

Solcellepanel

	MT SM 120 FL	MT SM 150 FL	MT SM 170 FLQ
Ref.nr.	9620000138 (SM40120)	9620000259 (SM 40152)	9620000206 (SM 40170)
Nominell utgangseffekt (Wp)	120	150	170
Daglig effektproduksjon (Wh/dag)	480	660	750
Effekttoleranse	+/- 10 %	+/- 10 %	+/- 10 %
Kortslutningsstrøm (Isc)	6,4 A	6,4 A	7,2 A
Tomgangspenning (VoC)	23,4 V	29,2 V	27,9 V
Antall celler	32	40	42
Celletype	Monokrystallinsk		
Omgivelsestemperatur	-40 °C til +85 °C		
Relativ luftfuktighet	≤ 85 %		
Mål (B x D x H)	1120 x 540 x 19 mm	1382 x 540 x 19 mm	980 x 980 x 19 mm
Vekt	3,0 kg	4,6 kg	4,9 kg
Inspeksjon/sertifisering			

Spesifikasjonene er oppnådd ved standard STC-testvilkår (STC: Solinnstråling 1000 W/m², paneltemperatur 25 °C, AM 1.5).

Solcellelader (MT 150 PP, MT 350 PP)



Detaljert informasjon om tekniske spesifikasjoner for solcelleladeren finner du i den medfølgende monterings- og bruksanvisningen, eller på nettet:
https://documents.dometic.com/?object_id=83055

MPP-solcellelader (MT MPP 170, MT MPP 440)



Detaljert informasjon om tekniske spesifikasjoner for solcelleladeren finner du i den medfølgende monterings- og bruksanvisningen, eller på nettet:
https://documents.dometic.com/?object_id=83055



dometic.com

**YOUR LOCAL
DEALER**

dometic.com/dealer

**YOUR LOCAL
SUPPORT**

dometic.com/contact

**YOUR LOCAL
SALES OFFICE**

dometic.com/sales-offices

A complete list of Dometic companies, which comprise the Dometic Group, can be found in the public filings of:
DOMETIC GROUP AB Hemvärnsgatan 15 SE-17154 Solna Sweden